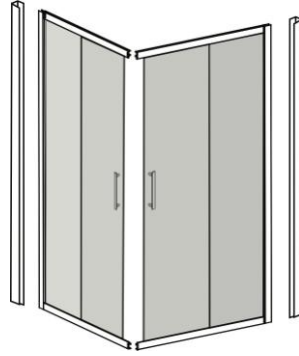


ASSEMBLY INSTRUCTIONS

CORNER SHOWER BOX



IMPORTANT! – BEFORE YOU START

- Please read the instructions carefully before starting assembly.
- If the shower enclosure is not assembled according to the following instructions, BOX DOCCIA INTERNATIONAL will not be liable for any loss or damage, whatever the cause, this may result in additional costs.
- Please inspect the product immediately upon receipt for any damage caused by transit, missing parts or manufacturing defects. Any damage or missing parts must be reported immediately as no claims will be accepted after installation
- Please handle the product with care avoiding knocks or shock loads from any side and edge of the glass. Please note: Toughened glass cannot be re-worked.
- Double check that the shower enclosure you have ordered will fit in the chosen location.
- The fixings supplied are for use in solid walls, hollow or stud walls will require special fixings available from your hardware supplier.
- Ensure you have all the tools needed to complete the job (see list of tools).
- You may need to consider purchasing specialist tile drilling bits available from your hardware supplier.
- Double check that all components are present (see list of components).
- Ensure the installed shower tray is perfectly level in all directions against a solid, structural wall and that there is a full, continuous bead of silicone sealant between the top of the shower tray and the tile joint prior to installation of the shower enclosure. The tiling should cover a minimum of 1900mm from the top of the shower tray.

GENERAL POWER TOOL SAFETY

- DO NOT USE THE DRILL FOR ANY TASK IT WAS NOT DESIGNED TO PERFORM.
- DO NOT LEAVE THE DRILL UNATTENDED.
- DO NOT CARRY THE DRILL WITH YOUR FINGERS ON THE POWER SWITCH
- AVOID HIDDEN PIPES AND ELECTRICAL WIRING WHEN DRILLING IN A WALL.

SUGGESTIONS

- The surface to be siliconed should be degreased first with denatured alcohol. Please observe any safety instructions due to denatured alcohol.
- Make sure there are no hidden pipes or cables in the wall before drilling.
- If you are drilling into ceramic tiles use a piece of marking tape on the tile to stop the drill bit from slipping.
- DO NOT use the hammer action when drilling into ceramic tiles.

MAINTENANCE

After use, your shower enclosure should be cleaned with soap and water. This is especially important if hard water is present. Do not use harsh chemicals. Care should be taken to avoid contact with strong chemicals such as organic solvents. Glass cleaners should be used with caution, if in doubt consult the manufacturer of the cleaner in question. To ensure smooth door movement, apply grease when necessary. Keep these instructions for after-sales service and customer service details.

MOUNTING COMPONENTS

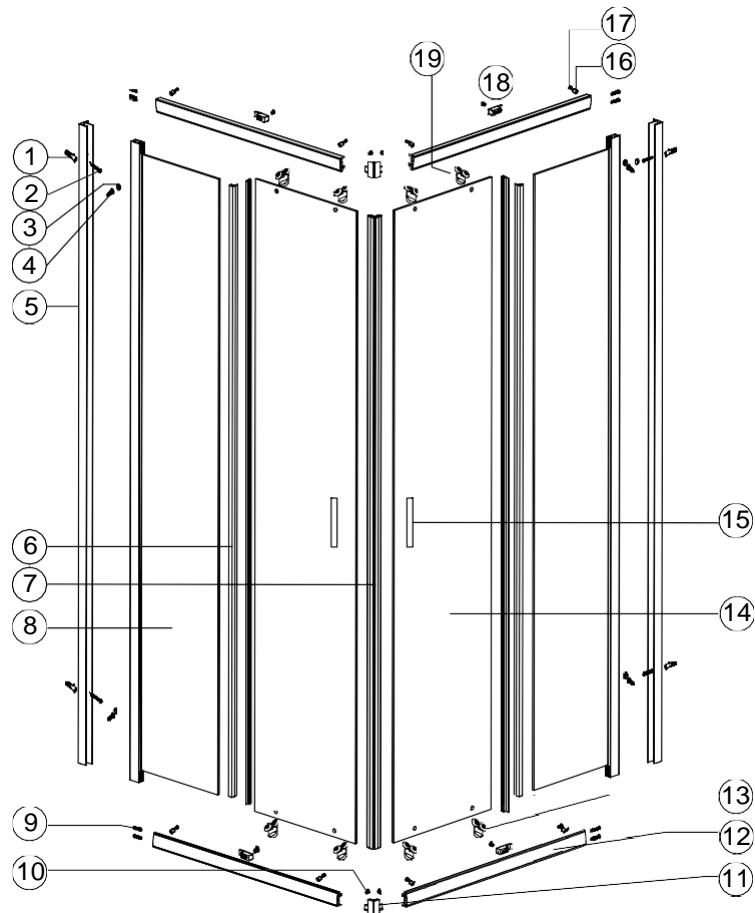


Figure 1

- | | |
|---|---|
| (1) 4 x Tiles | (10) 4 x Screws 3.9 x 13 |
| (2) 4 x Screws 4.2 x 25 | (11) 2 x Angle connector |
| (3) 4 x Screw cover caps | (12) 4 x Track profiles upper and lower part Left/Right |
| (4) 4 x Screws 3.9 x 16 | (13) 4 x Double clip wheels for lower part |
| (5) 2 x Wall profiles | (14) 2 x Sliding doors |
| (6) 4 x Plastic Hydraulic Seals (Between Fixed and Sliding Glass) | (15) 2 x Pairs of handles |
| (7) 2 x Magnetic gaskets | (16) 8 x Glass holder and relative screws 3.9x16 |
| (8) 2 x Fixed glass | (17) 8 x Screws 3.9 x 13 |
| (9) 8 x Screws 3.5 x 32 | (18) 4 x Glass clamps |
| | (19) 4 x Double clip wheels for top (adjustable) |

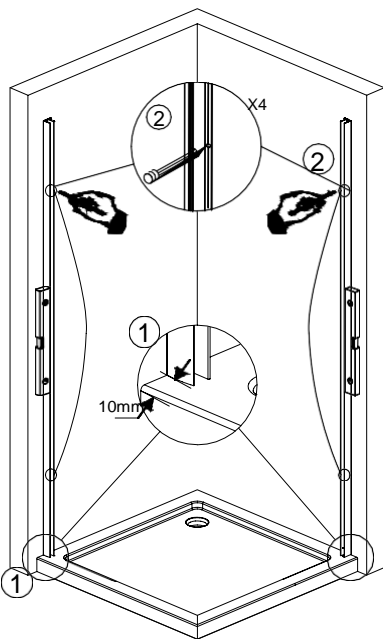
WARNING: This product is heavy and will require two people to lift and install.

Required tools

DESCRIPTION	IMAGE	DESCRIPTION	IMAGE
Metro		Drill	
Bubble leveler		Cross screwdriver	
Pencil		Rubber hammer	
Drill bit Ø 6mm		Silicone sealant	
Drill bit Ø 3mm			

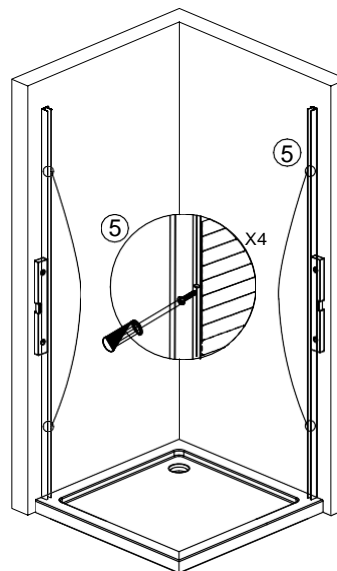
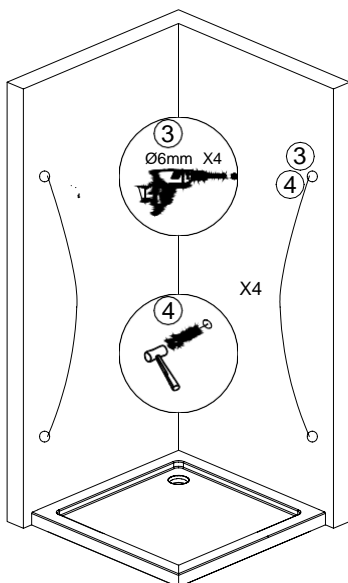
This product is heavy and will require two people to lift and install.

ASSEMBLY STEPS



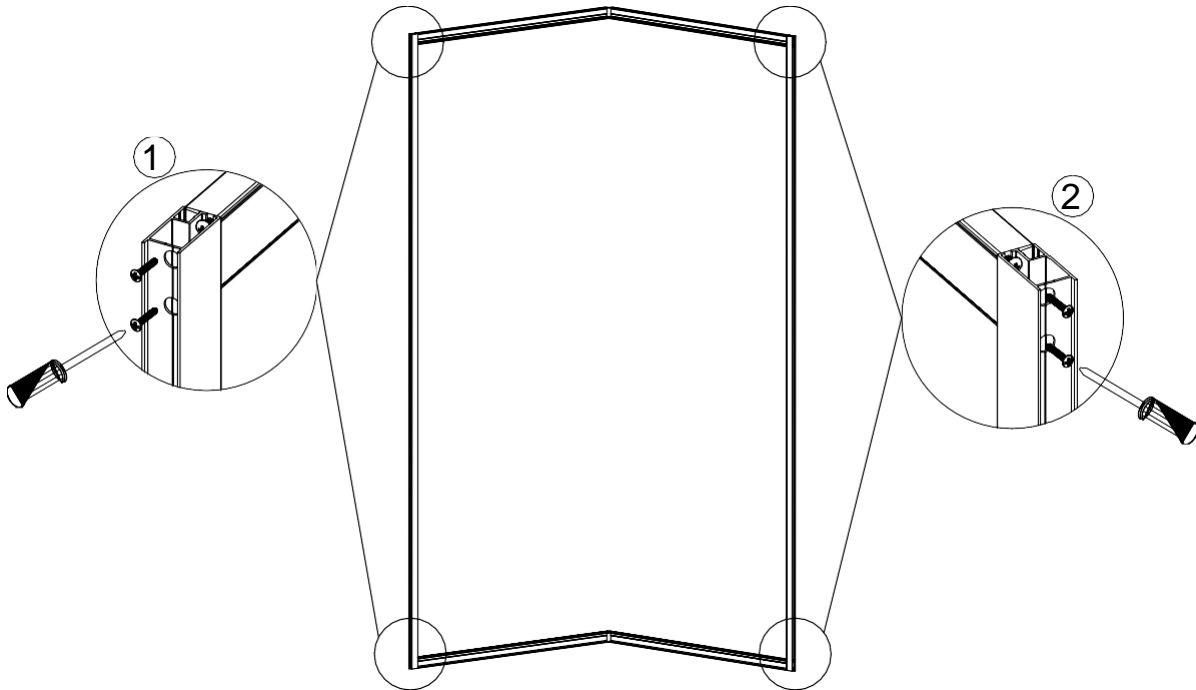
STEP 1: Assembling wall connections

1. Leave a 10mm gap at the edge of the plate.
2. Mark the 2 holes through the wall profile on the wall using a pencil and a spirit level. Repeat this process on both sides
3. Drill holes on both sides of the wall at the marked point.
4. Place the dowels into the drilled holes.
5. Fix the wall profile using the 4.2 x 25 4 screws

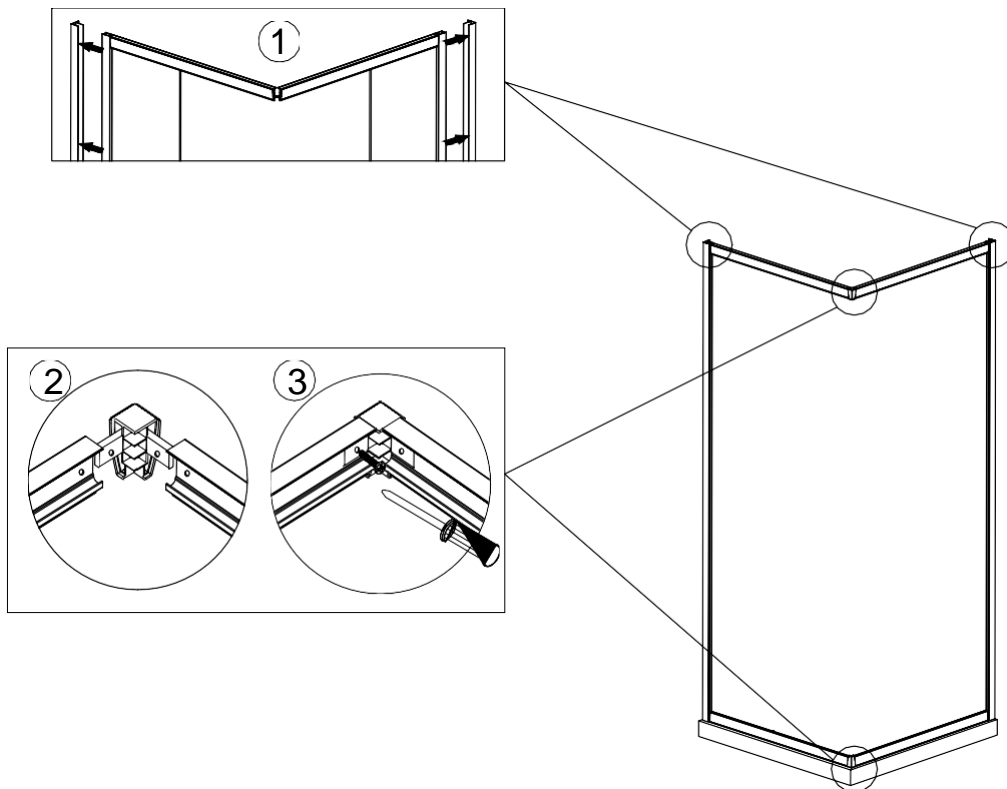


STEP 2: Assembling the aluminum structure

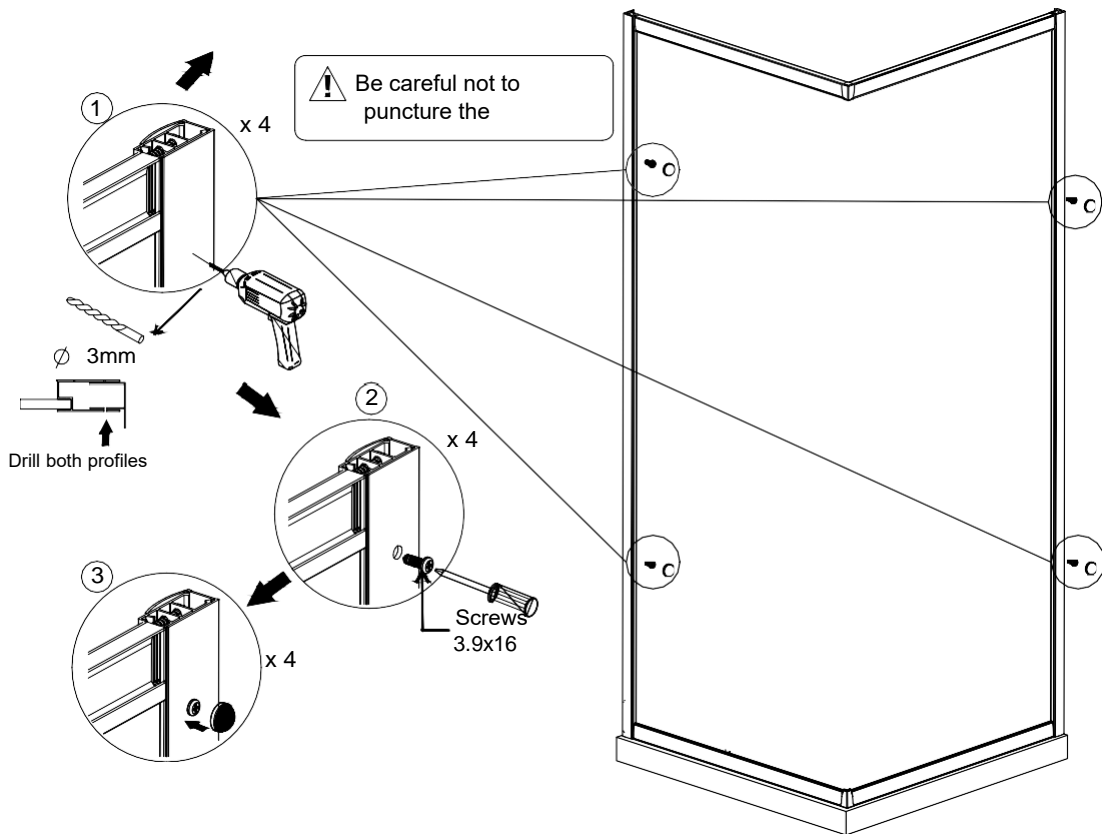
1 and 2 : Fix the tracks with the vertical glass profiles using 3.5x32 x8



STEP 3: Position the frame on the wall with the corner connectors: To connect the corners use piece no. 11 (corner connector) and piece no. 10 (4 x screws 3.9 x 13) as shown in Figure 1

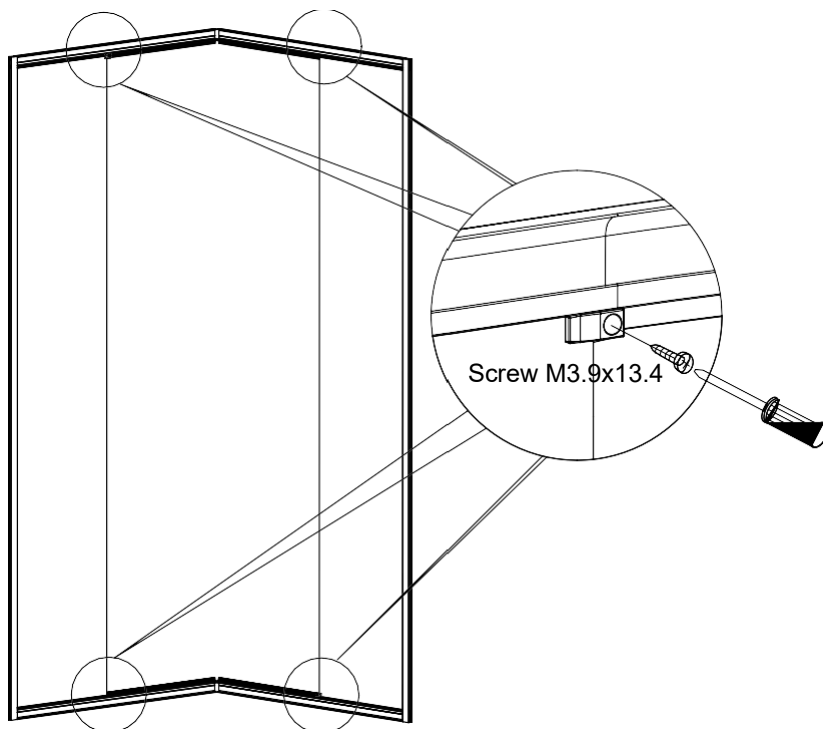


STEP 4: Wall and glass profile connections

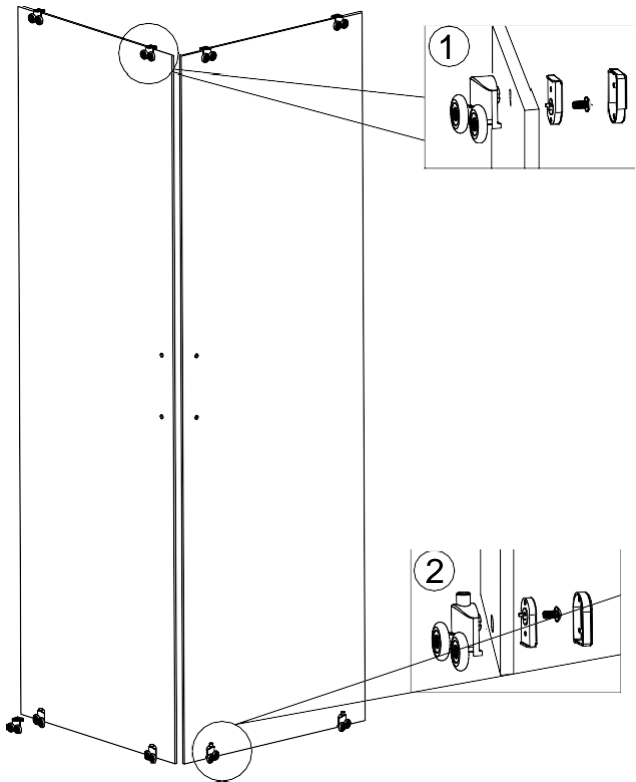


STEP 5: Fixing the glass to the frame

Fix the glass using (8) glass clamps and (9) 3.9x13 screws as shown in figure 1

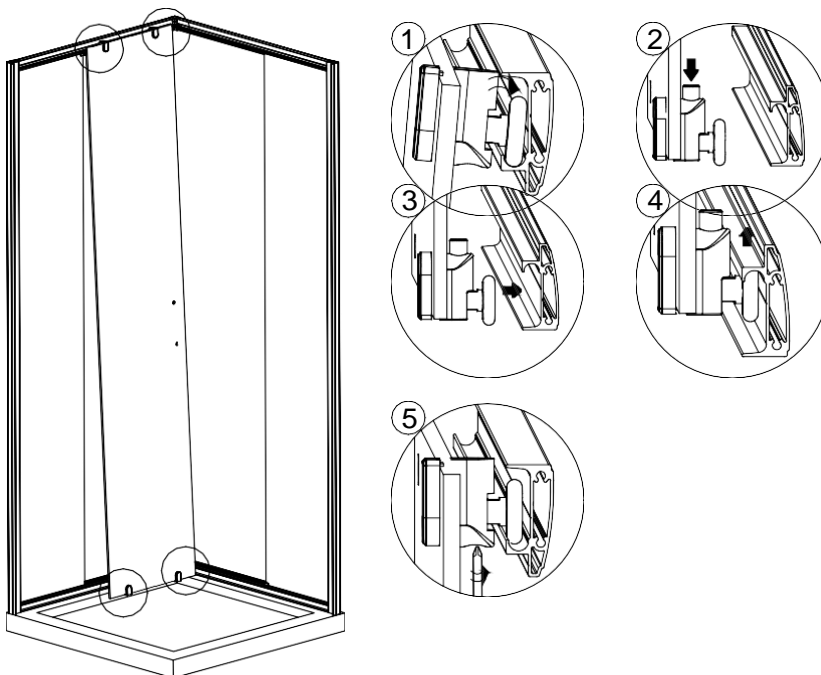


STEP 6: Preparing and installing the sliding doors

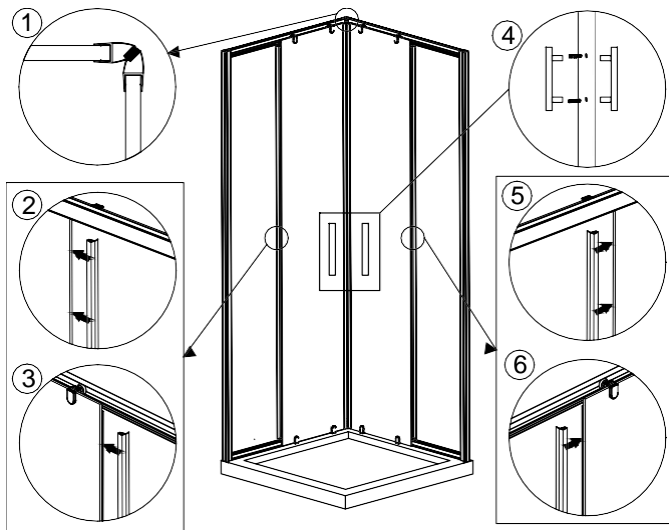


1. Connect the (13) (as shown Figure-1) 4 x double clip bottom wheels to the bottom of the sliding doors,
2. Connect the (19) (as shown in Figure 1) 4 x double clip wheels with the upper part in the upper part which are adjustable with the lower part of the sliding doors.

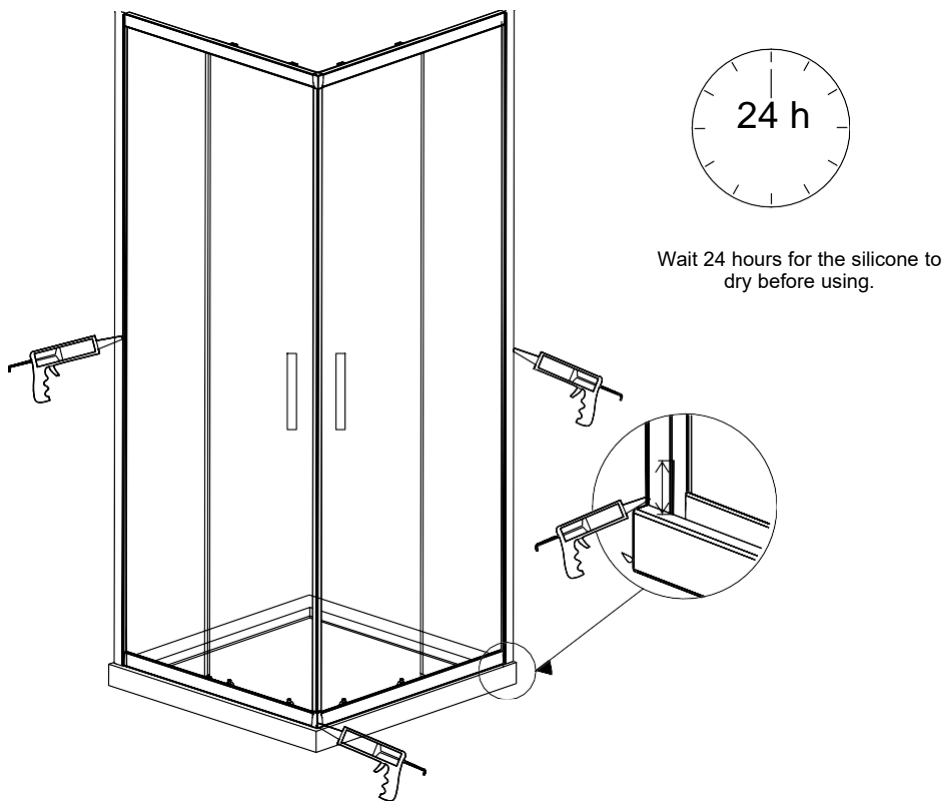
1. Carefully place the sliding door on top of the tracks
2. Carefully place the sliding door into the lower part of the tracks
3. 4. Make adjustments



STEP 7: Fitting splash guards + magnetic seals



STEP 8: Silicone



Clean your shower enclosure regularly with soap and warm water to prevent limescale build-up. DO NOT USE abrasive products or strong chemical detergents to avoid damaging the surface of the product.

Please keep this manual in a safe place.

kuante
Tel. +90 539 614 75 45
satis@kuante.com.tr
www.kuante.com.tr