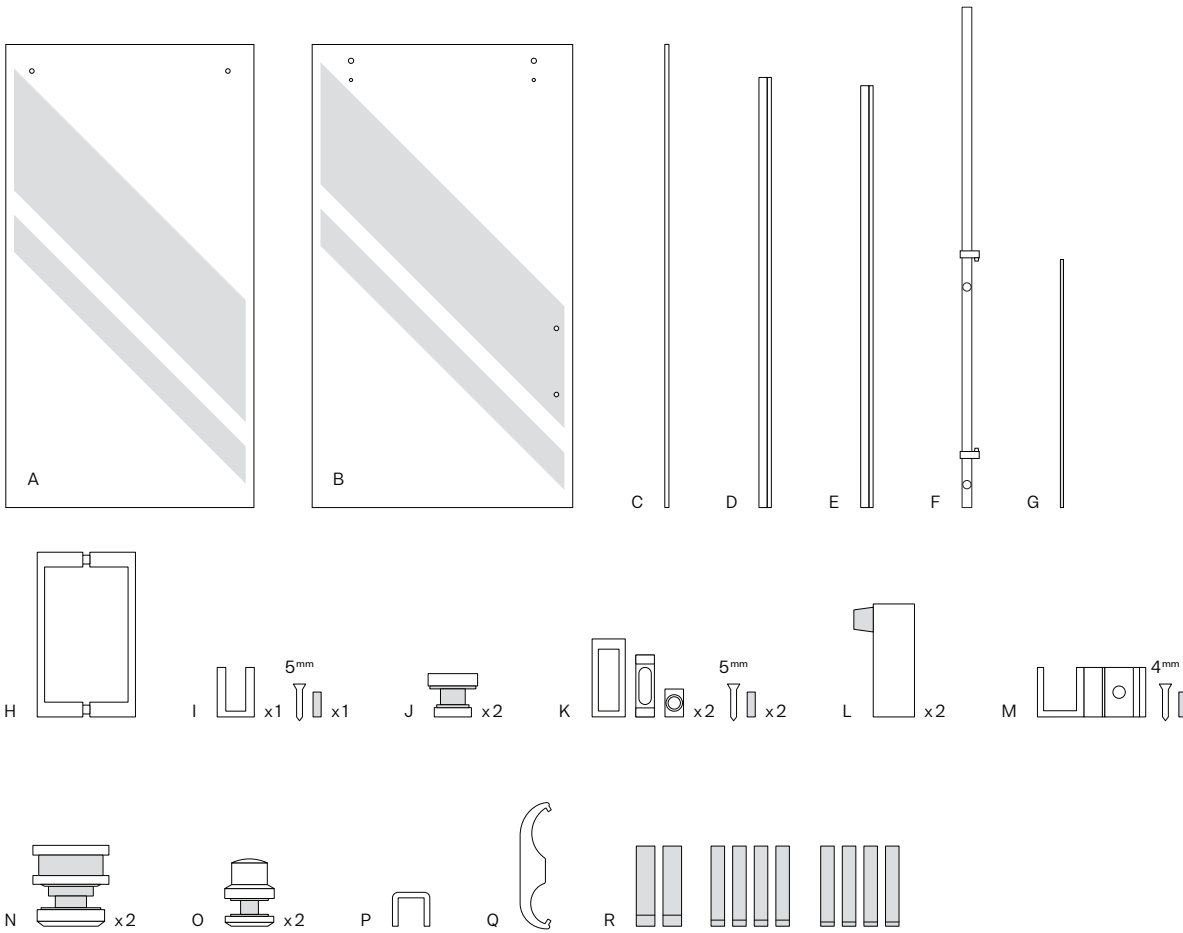


ASSEMBLY INSTRUCTIONS

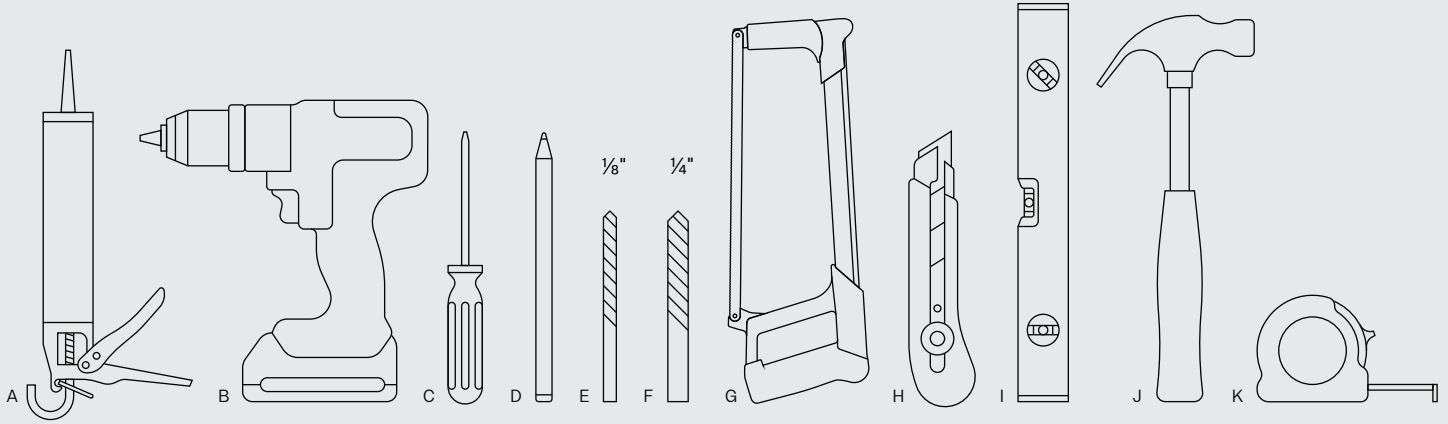
SLIDING NICHE OPENIN 1 SIDE ENY LINE



Included in your purchase Shipped in 4 separate boxes

- | | | |
|-------------------------------------|---|---|
| A Fixed Panel | H Slider Panel Handle | M Floor Bracket & Screw |
| B Slider Panel | I Fixed Panel Bottom Clip, Screw & Wall Anchor | N Slider Panel Rollers |
| C Slider Panel Edge Strip | J Fixed Panel Brackets | O Roller Guides |
| D Slider Panel Weather Strip | K Shower Rod Brackets, Screws & Wall Anchors | P Aluminum Floor Strip Cap |
| E Fixed Panel Weather Strip | L Slider Panel Stoppers | Q Roller Adjustment Tool |
| F Shower Rod | | R Rubber Block set (various sizes) |
| G Aluminum Floor Strip | | |

Installation Guide



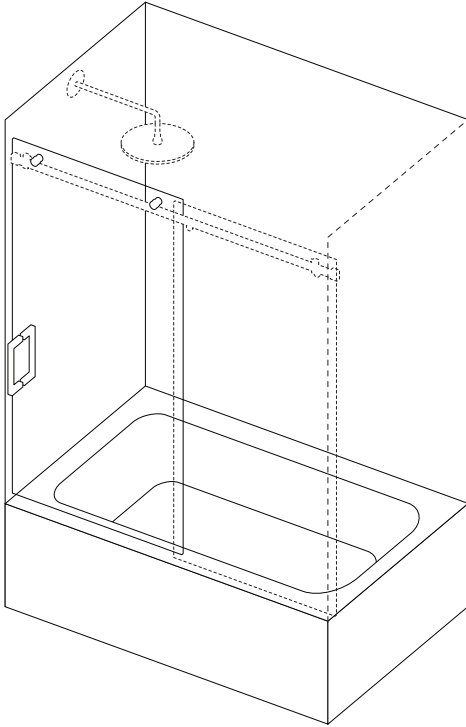
Tools required for install.

- | | |
|------------------------------------|------------------------|
| A Silicone and caulking gun | G Hacksaw |
| B Power drill | H Utility knife |
| C Phillips head screwdriver | I Level |
| D Pencil | J Hammer |
| E 1/8" tile drill bit | K Tape measure |
| F 1/4" tile drill bit | |

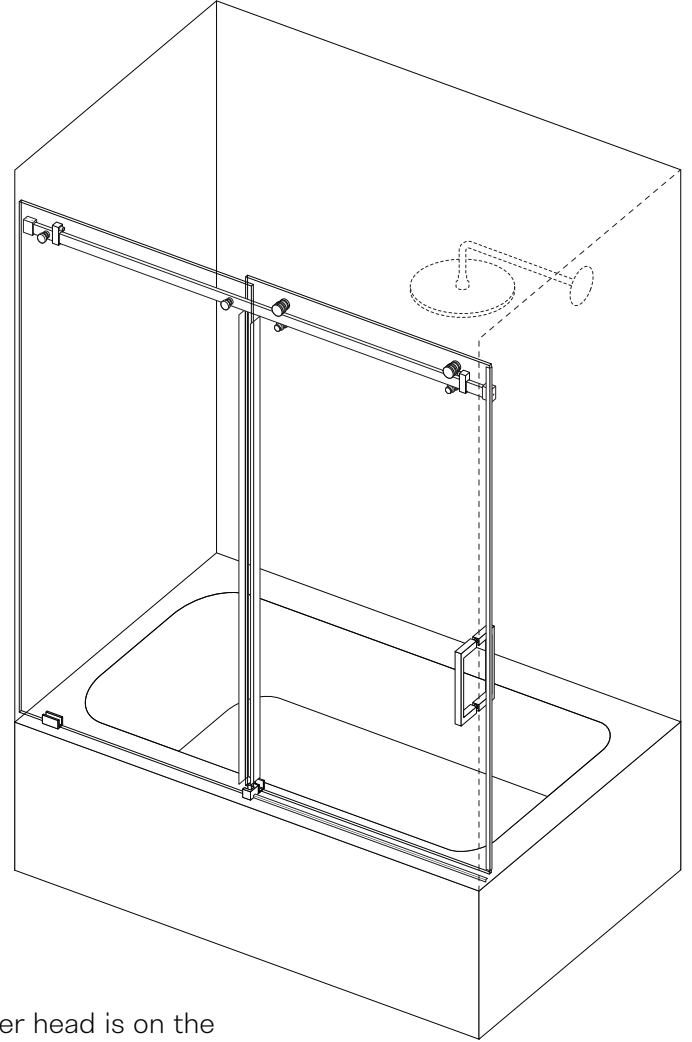
Note: Silicone is not provided and will need to be purchased separately. We recommend using a clear, mold resistant silicone which can be purchased at your local hardware store.

Before You Start

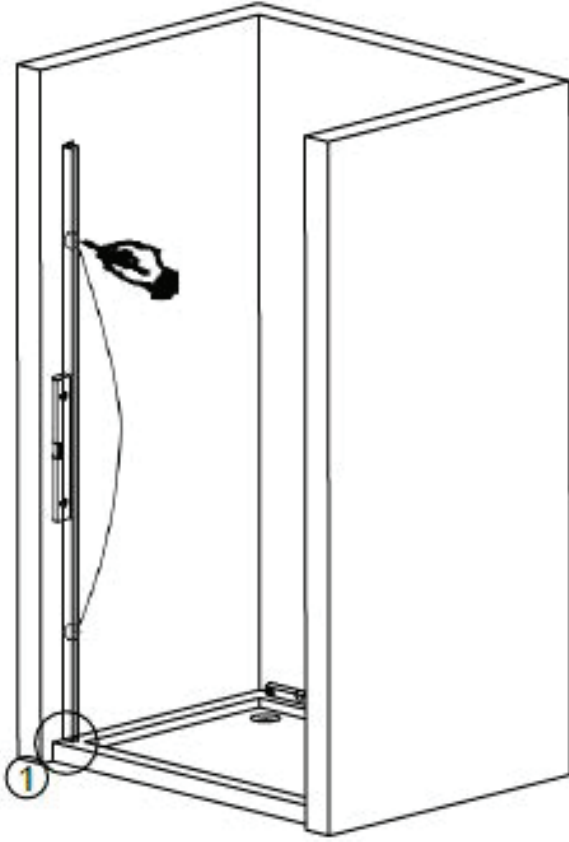
- Confirm that you have the correct model size. See table below to insure that the model you received will fit your shower opening.
- Choose which side of your shower to install the Slider Panel (Sliding Door): Kuante highly recommends installing the sliding shower door on the same side as your shower head. This will help to prevent water leaking from the gap between the two glass panels.



If your shower head is on the left, the Slider Panel should be installed on the left side.

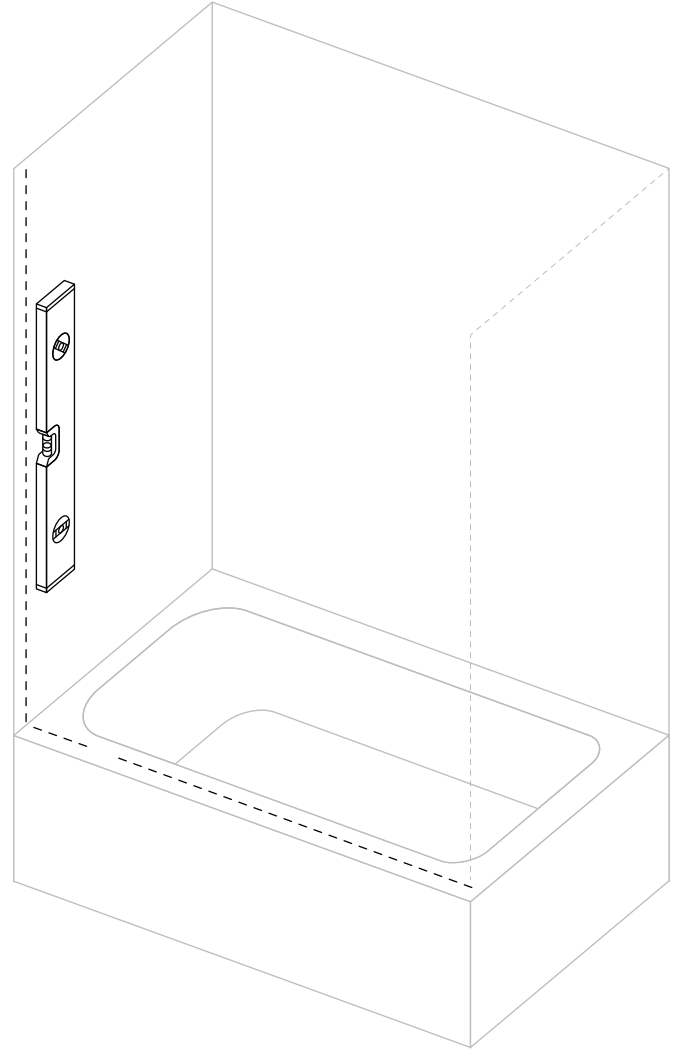


If your shower head is on the right, the Slider Panel should be installed on the right side.



01

1. Leave a 10mm gap at the edge of the plate.
2. Mark the 2 holes through the wall profile on the wall using a pencil and a spirit level.
3. Drill holes on both sides of the wall at the marked point.
4. Place the dowels into the drilled holes.
5. Fix the wall profile using the 4.2 x 25 screws



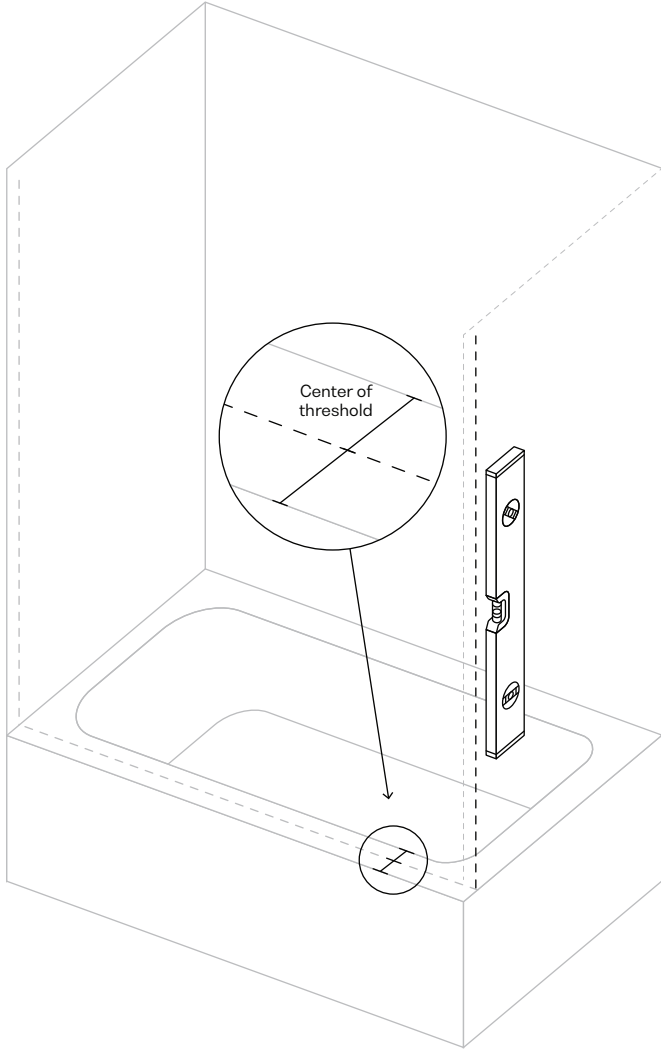
02

Mark the threshold and Fixed Panel wall.

Measure the width of bathtub threshold where shower door is to be installed, this needs to be a minimum of 2" to install this model of shower enclosure. On the wall where the Fixed Panel is to be placed, measure to the center of the bathtub threshold and mark the wall with a pencil. Using a level, draw a line up the wall at this point.

Tip: We recommend using a pencil so this can be easily removed.

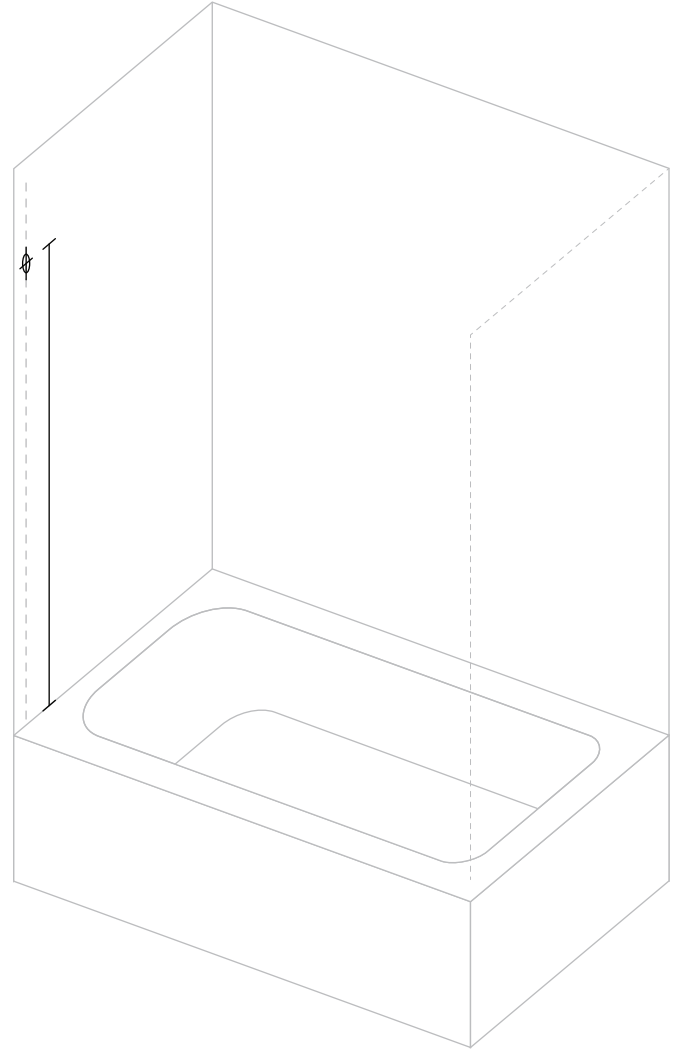




03

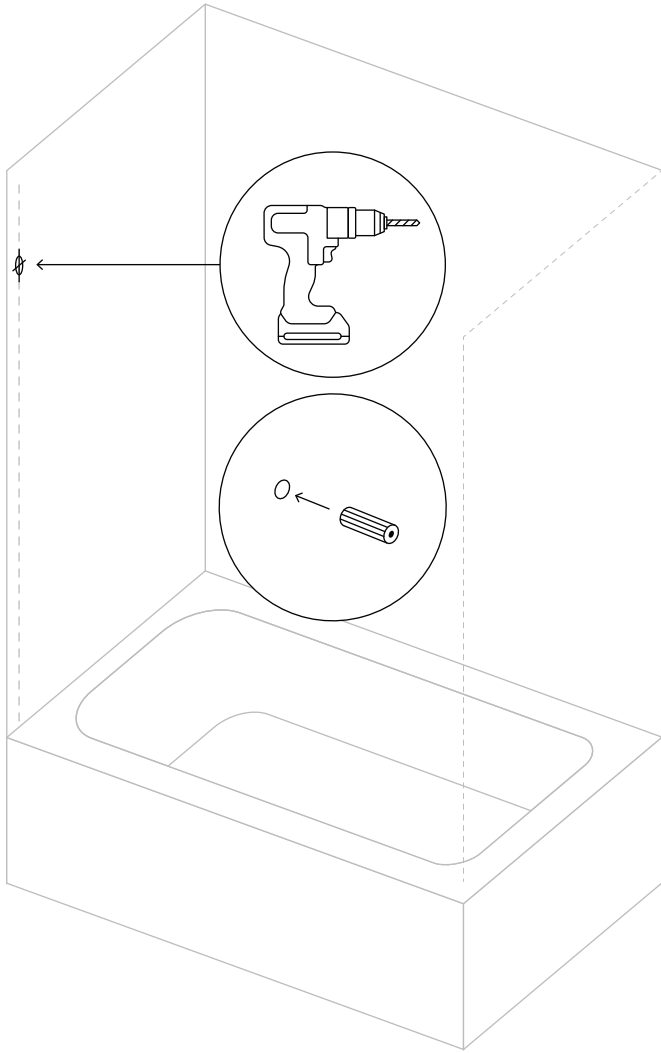
Mark the vertical line on Slider Panel wall.

On the opposite wall where the Slider Panel will close towards, measure to the center of the threshold tile and draw a vertical line using a level. This line will be a guide to install the Shower Rod



04

Mark the hole to drill on Fixed Panel wall.

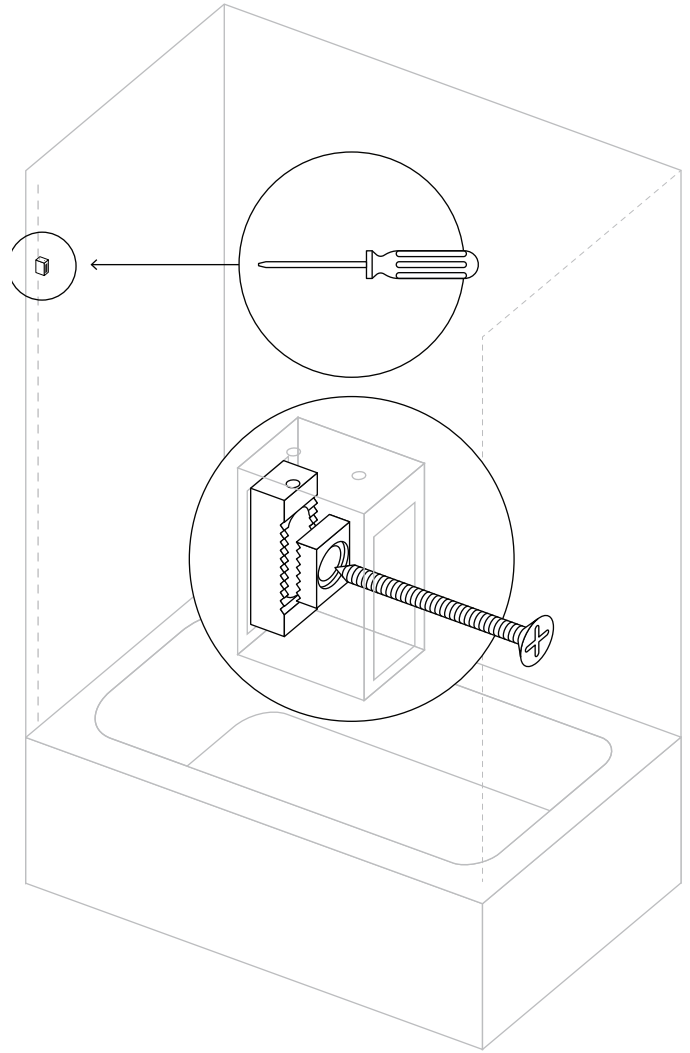


05

Drill the hole for the first Shower Rod Bracket.

Using a ¼" drill bit, drill the hole and install the Wall Anchor. Trim excess from the Wall Anchor hanging out the of hole with utility knife so your clips can sit flush to wall.

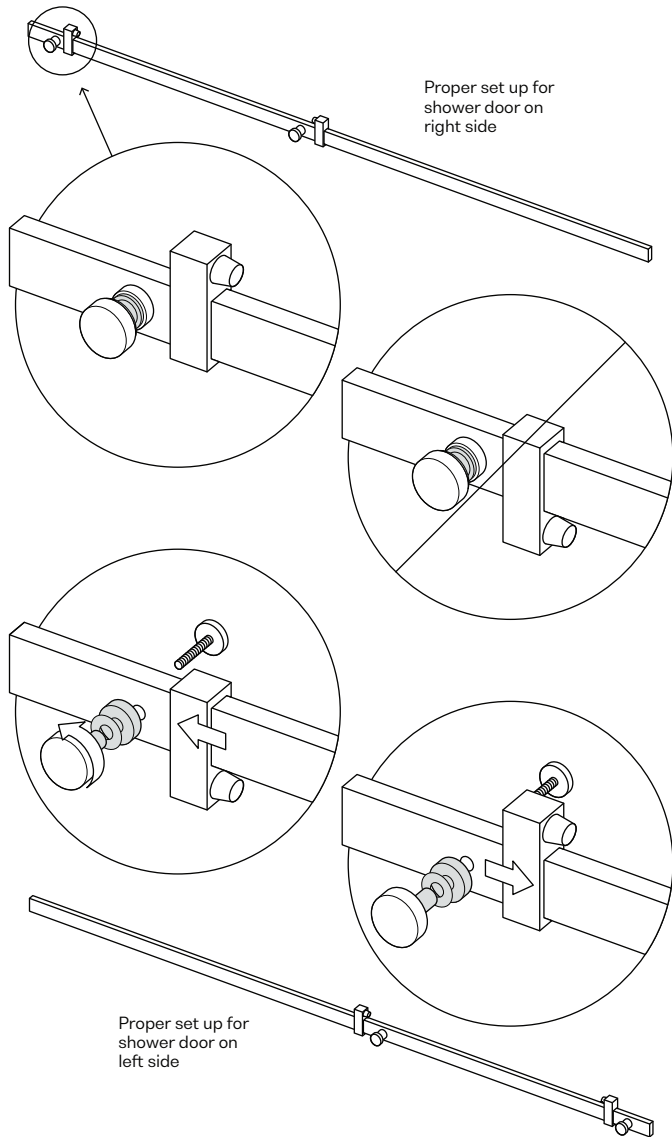
Important: Installer can use a ⅛" tile drill bit to create pilot holes, this helps for perfect positioning of hole but is optional.



06

Install first Shower Rod Bracket.

Place Shower Rod Bracket over hole and drill screws into Wall Anchor to secure Bracket. Make sure the two interior Bracket pieces are centered on each other when installing on wall, this will allow adjustment up or down at a later stage if required. Be sure it is securely tightened.

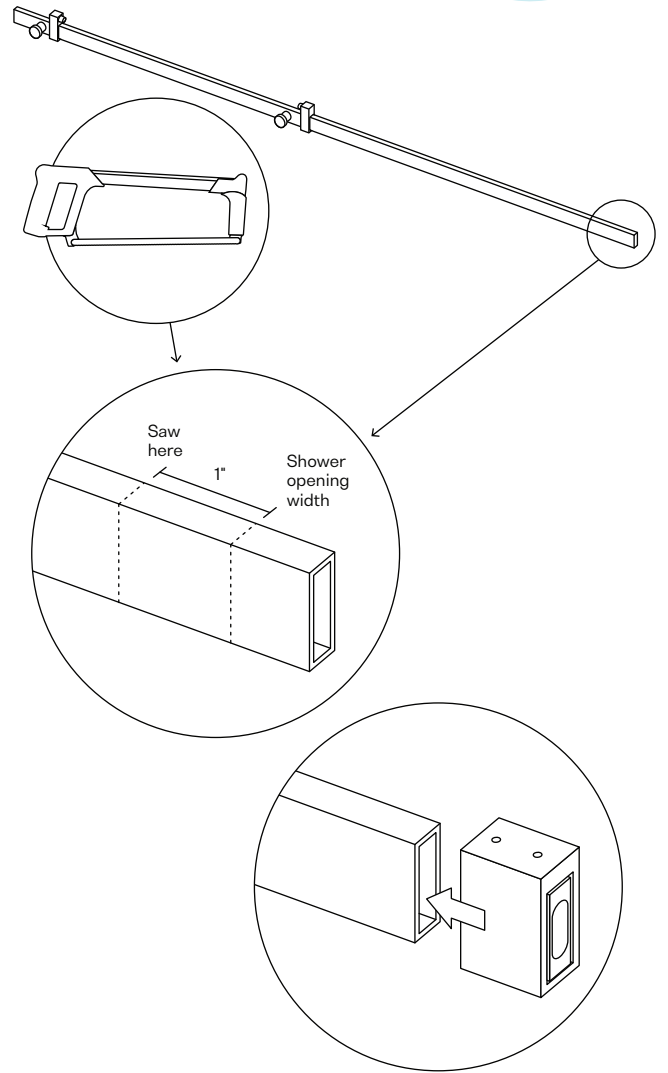


07

Configure Shower Rod direction and Stoppers.

If the Stoppers are upside down and underneath the Rod, you will need to flip them over. Remove the Fixed Panel Bracket nearest to the end of the Rod using allen key included. Loosen and remove the Stopper closest to it then flip Stopper over and slide it back onto rod and tighten. Return Fixed Panel Bracket to original position.

At the far end of the Rod, simply remove the Stopper, flip it over and slide it back onto the Rod and tighten allen screws.



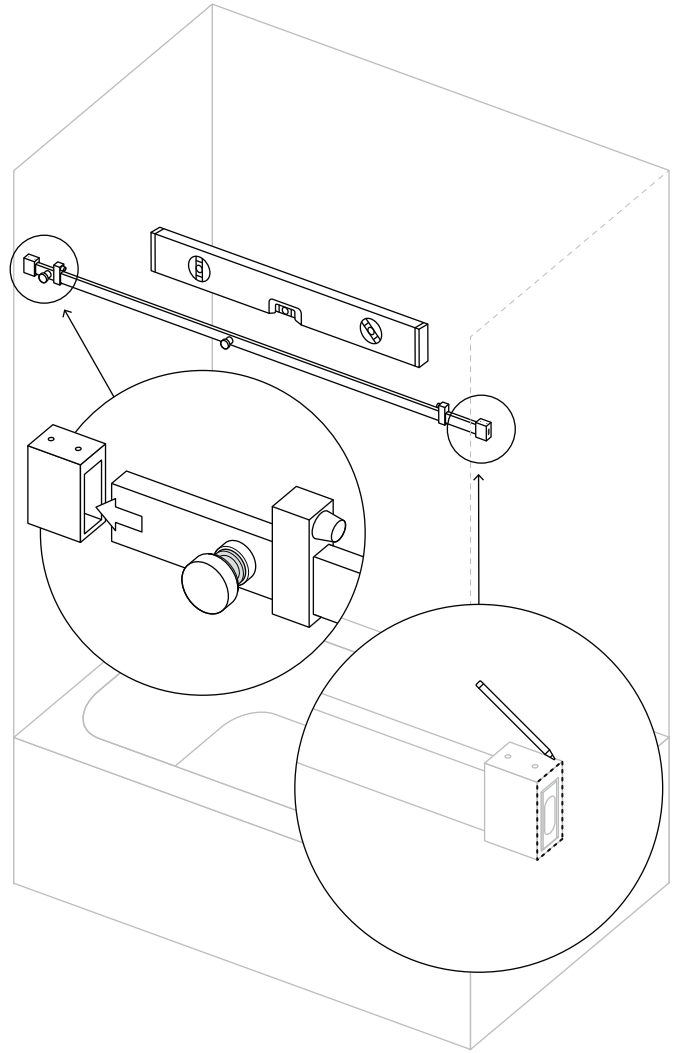
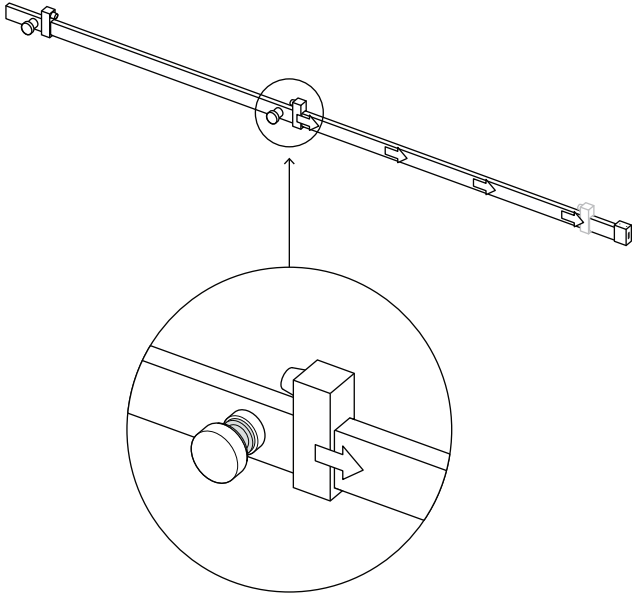
08

Measure and cut Shower Rod.

Important: You must cut rod at opposite end from the Fixed Panel Brackets.



Measure your opening width. Subtract 1" from this measurement and then measure out this distance on the Shower Rod. For example: If your opening measurement is 47" your rod length should be 46". Use a hacksaw and cut your Shower Rod to the correct length.



09

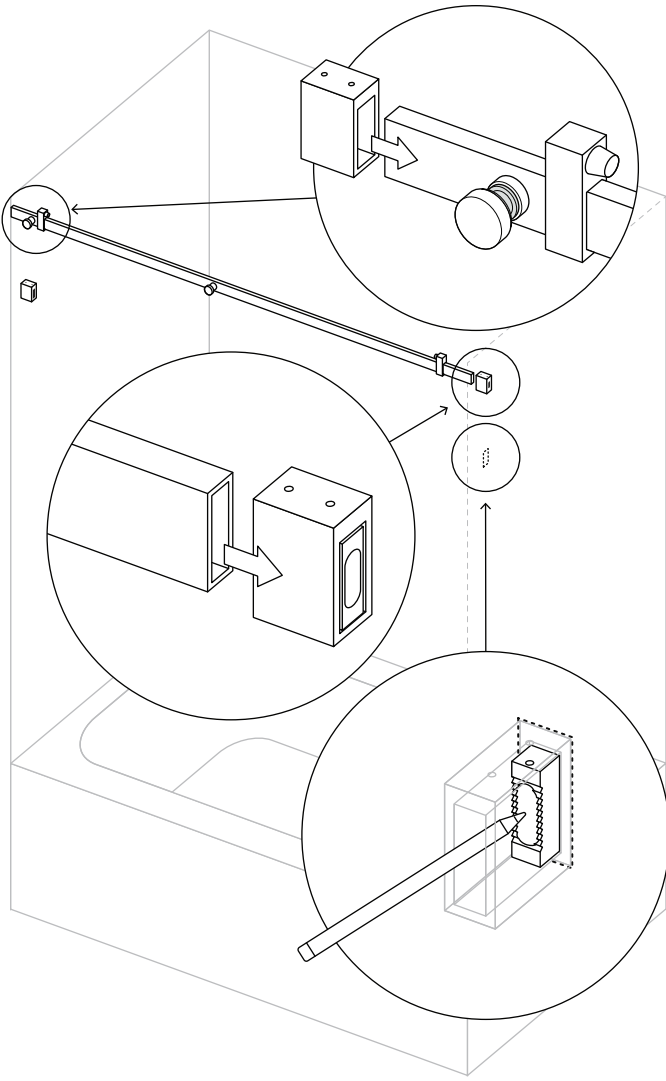
Move Slider Panel side Door Stopper over.

Slide Slider Panel side Door Stopper all the way over to other side to accomodate level in next step.

10

Level Shower Rod and mark Rod Bracket position.

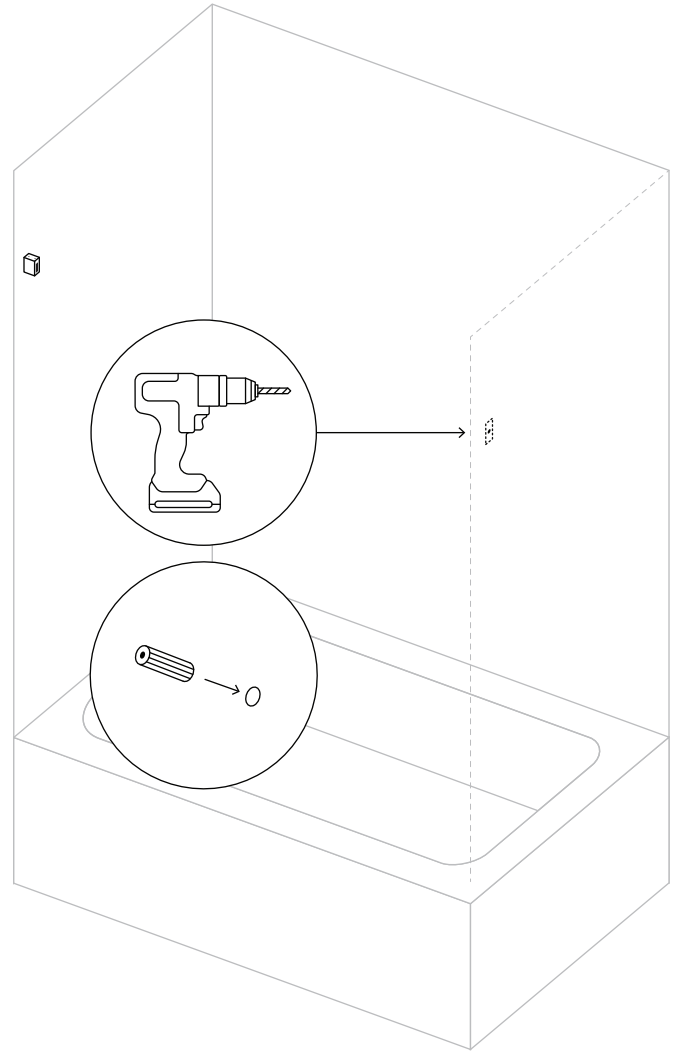
Slide Fixed Panel side of Shower Rod into first Shower Rod Bracket. Using a level, check Shower Rod is perfectly level from one wall to the other. Once in correct position mark the placement of the second Shower Rod Bracket on wall. Make sure wall bracket is centered over vertical line previously drawn on wall



11

Mark hole to drill for second Shower Rod Bracket.

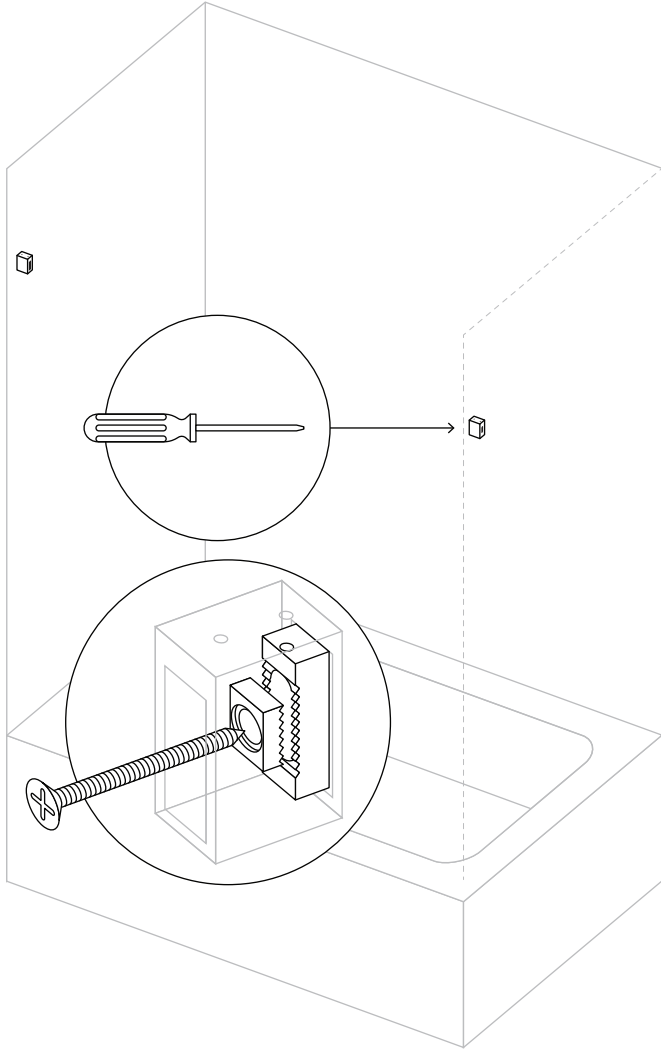
Remove Shower Rod from first Bracket and remove second Shower Rod Bracket from Shower Rod and mark the hole to be drilled on wall.



12

Drill the hole for second Shower Rod Bracket.

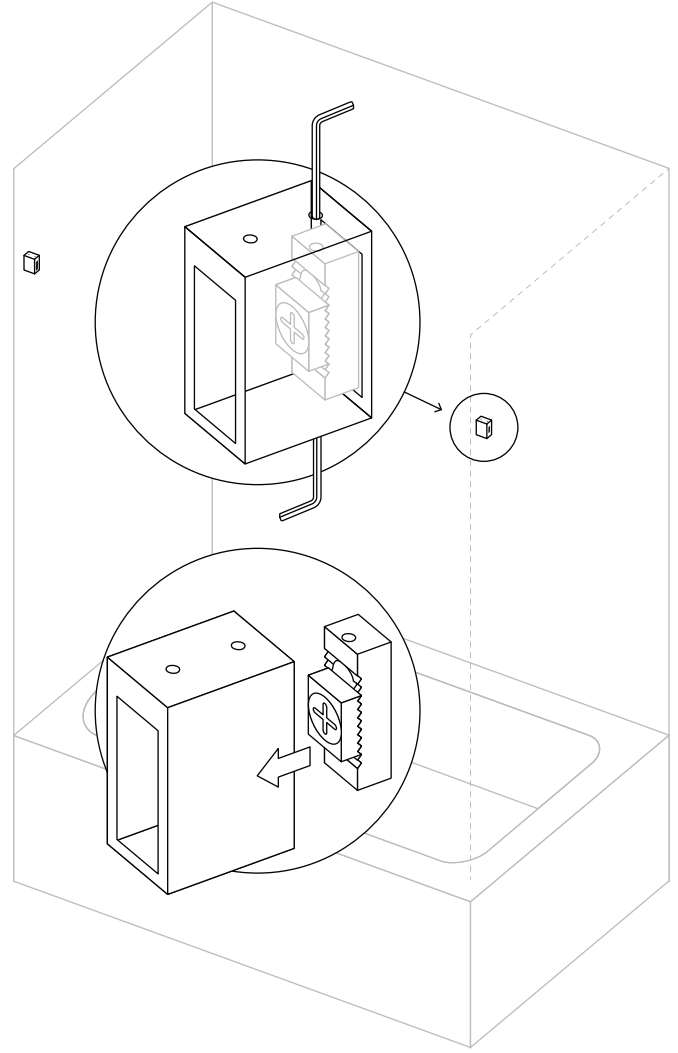
Using ¼" drill bit, drill a hole and install Wall Anchor. Trim excess from the Wall Anchor hanging out of the hole with utility knife.



13

Install Shower Rod Bracket interior.

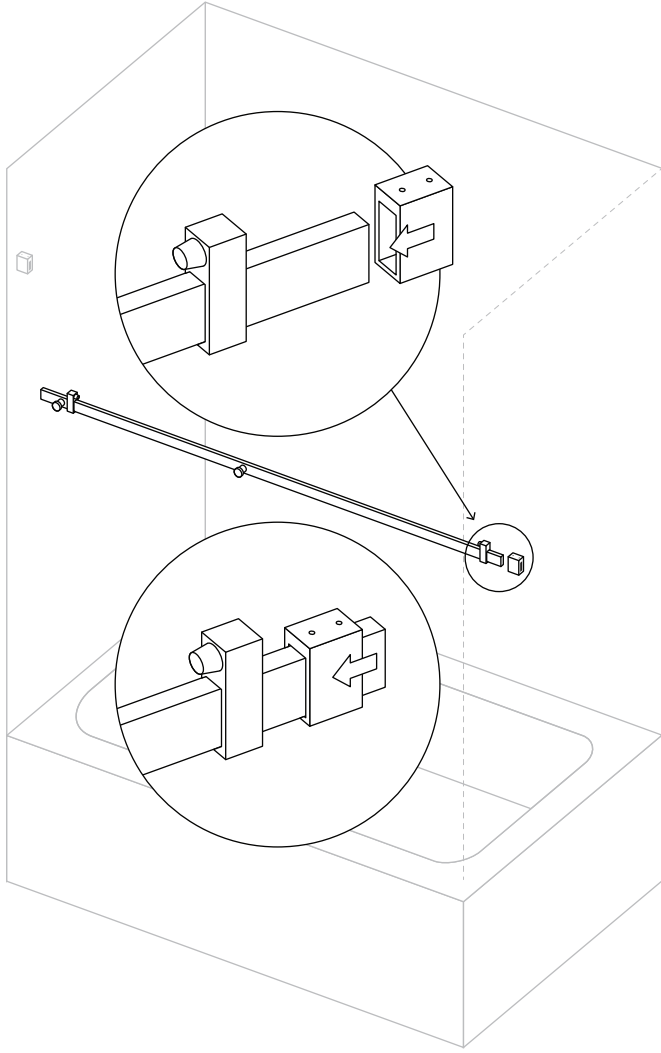
Screw in Shower Rod Bracket on Slider Panel side wall.



14

Remove Shower Rod Bracket from interior.

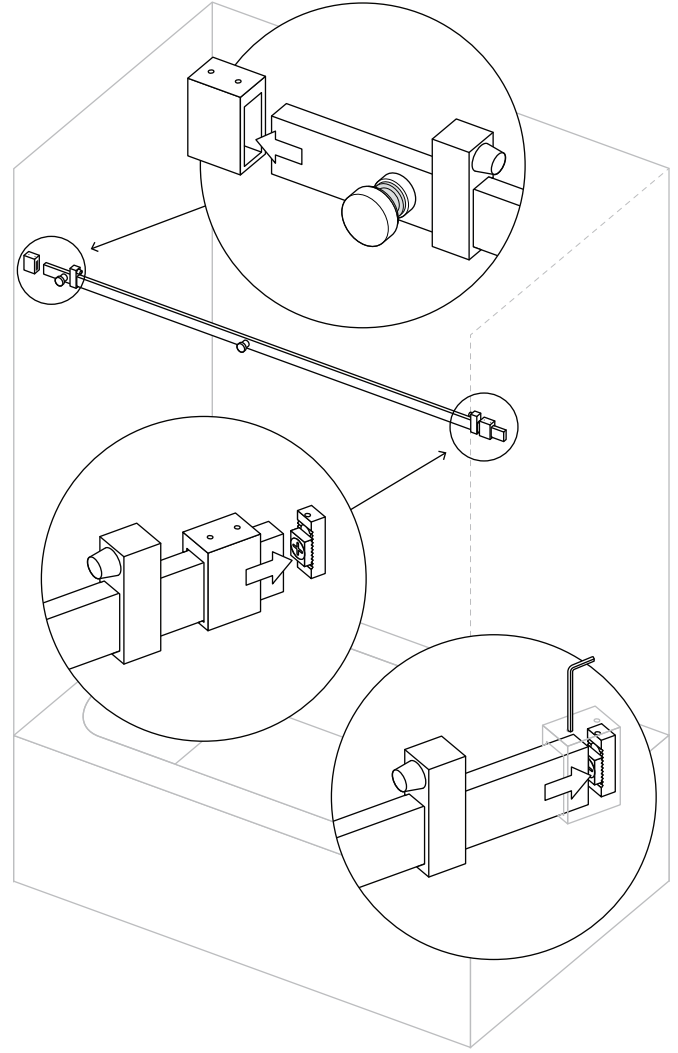
Use Allen key to loosen Shower Rod Bracket from Bracket interior. Slide Shower Rod Bracket off of Bracket interior.



15

Slide Shower Rod Bracket on to Shower Rod.

Slide second Shower Rod Bracket on to Shower Rod past the cut end.

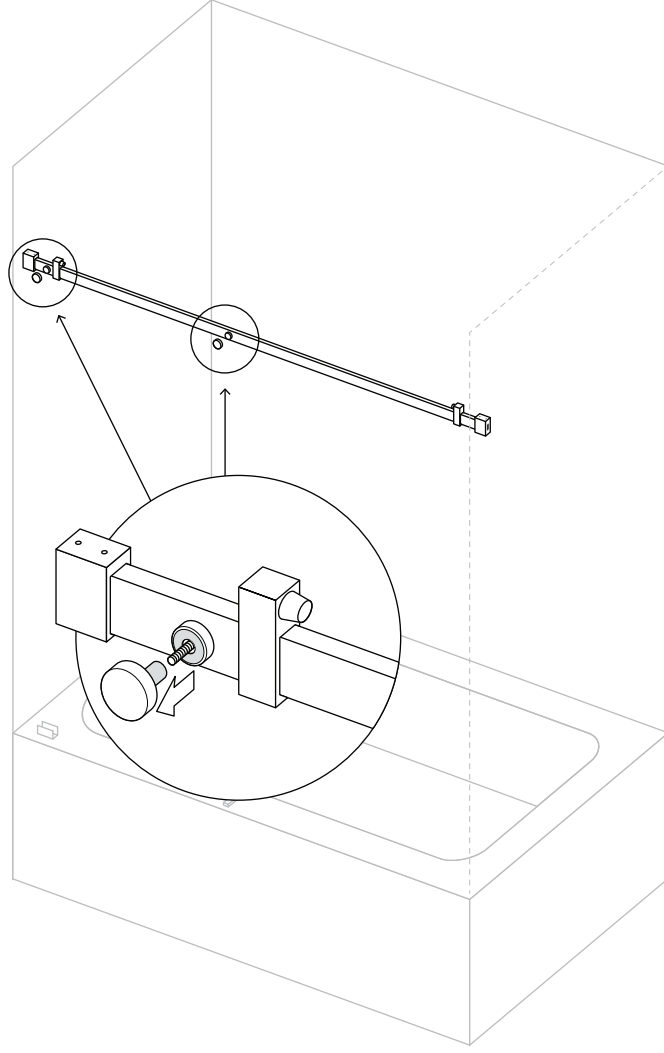


16

Install Shower Rod.

Slide Fixed Panel Side of Shower Rod into first Shower Rod Bracket. Align Shower Rod and slide second Shower Rod Bracket onto Bracket interior on wall. Re-check the Shower Rod is level and tighten all allen screws on both Shower Rod Brackets.

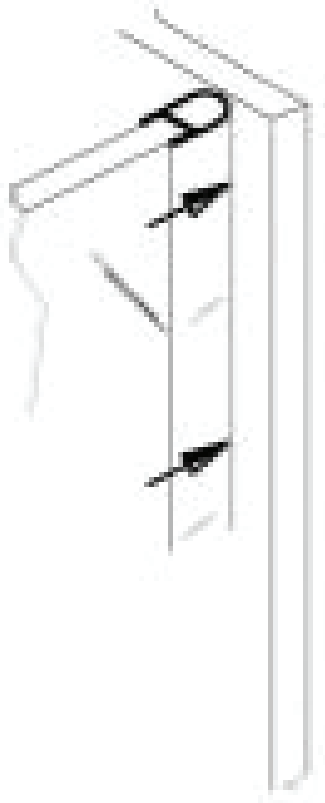
If Shower Rod is not level you can change the height up or down by adjusting the two interior pieces on one of the Shower Rod Brackets to make level.



17

Unscrew Fixed Panel Brackets.

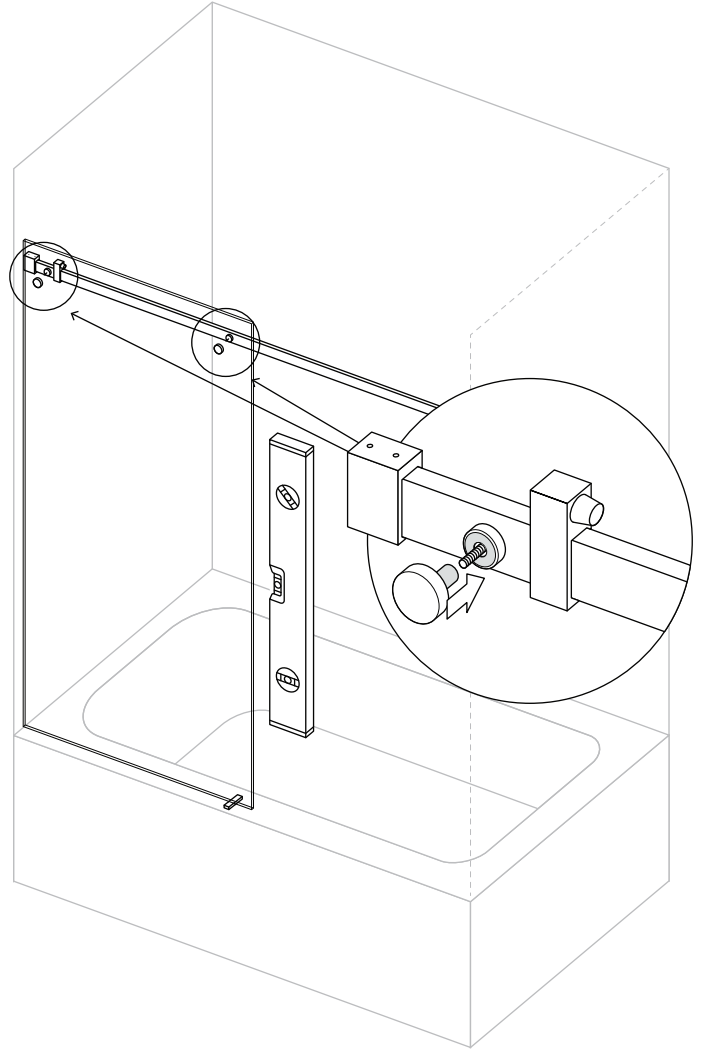
Unscrew Fixed Panel Brackets from front.



18

Set the Fixed Panel in place.

Gently slide the fixed plate into the profile you installed in step 1, placing a rubber block underneath it.

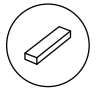


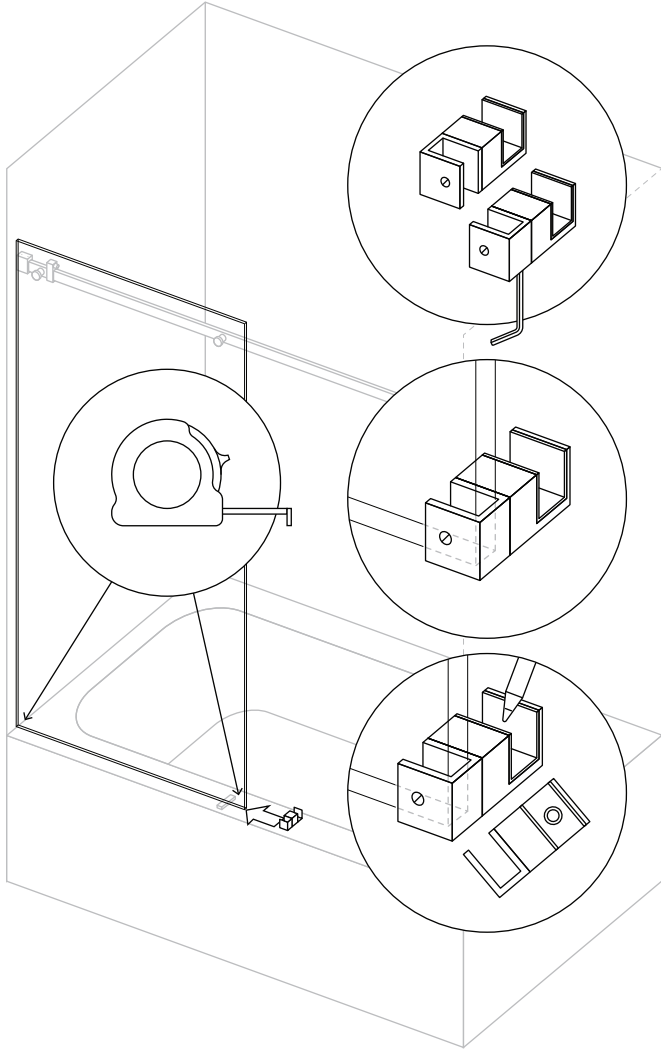
19

Align Fixed Panel and fasten Brackets.

Check to make sure the glass is level. If not, adjust by adding thinner $\frac{1}{16}$ " Rubber Blocks to the blocks already on bathtub threshold or in Fixed Panel Bottom Clip. Once level, tighten the grub screws on the Fixed Panel Floor Clip and on the Fixed Panel Brackets on Shower Rod very tight.

Tip: Use additional Rubber Blocks on either existing blocks to raise/drop the fixed panel if required.

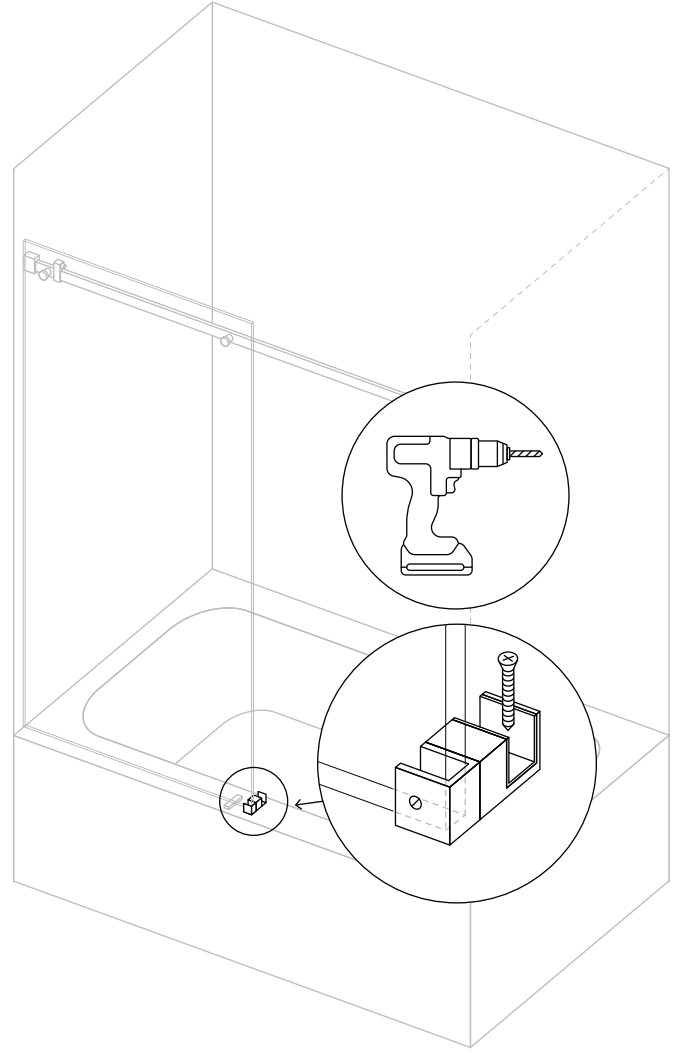




20

Set Fixed Panel into Floor Bracket and mark hole.

Make sure both of the bottom corners of the Fixed Panel measure the same distance from the front of the bathtub. Loosen allen screw on bottom of Floor Bracket and rotate adjustable end which fits on Fixed Panel for either left or right installation. Mark hole to drill for Floor Bracket. Remove Floor Bracket before drilling.



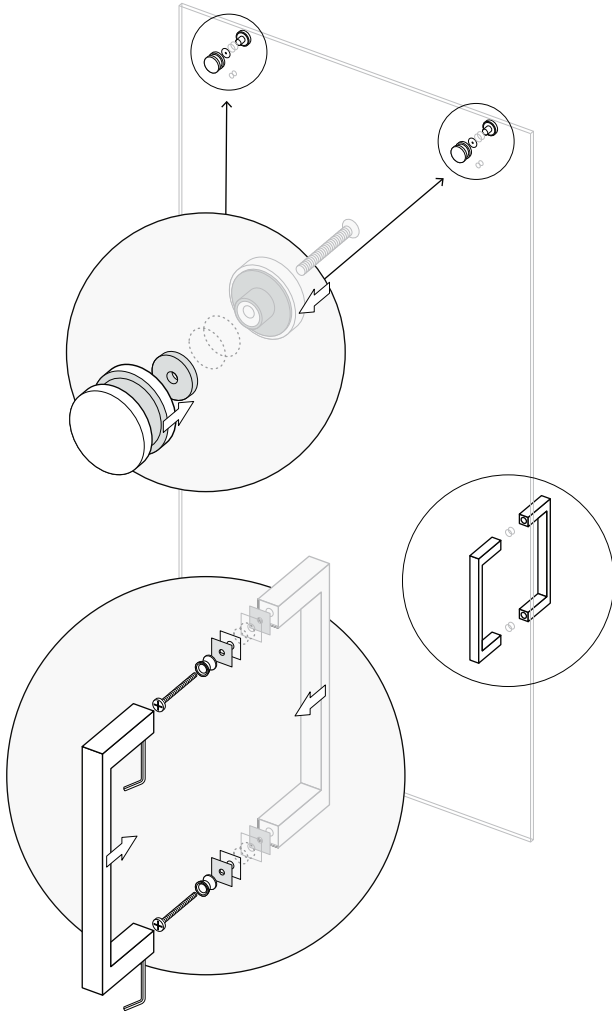
21

Install Floor Bracket.

Using a 1/8" drill bit, drill hole. Fill this hole with a little bit of silicone to waterproof. Reinstall Floor Bracket, making sure that the plastic insert is in place inside Floor Bracket. Screw Floor Bracket down to secure. If installing into tiled threshold, see important message below.

Important: When fixing Floor Bracket to tiled threshold, use a 1/4" drill bit and install the green anchor before installing Floor Bracket.



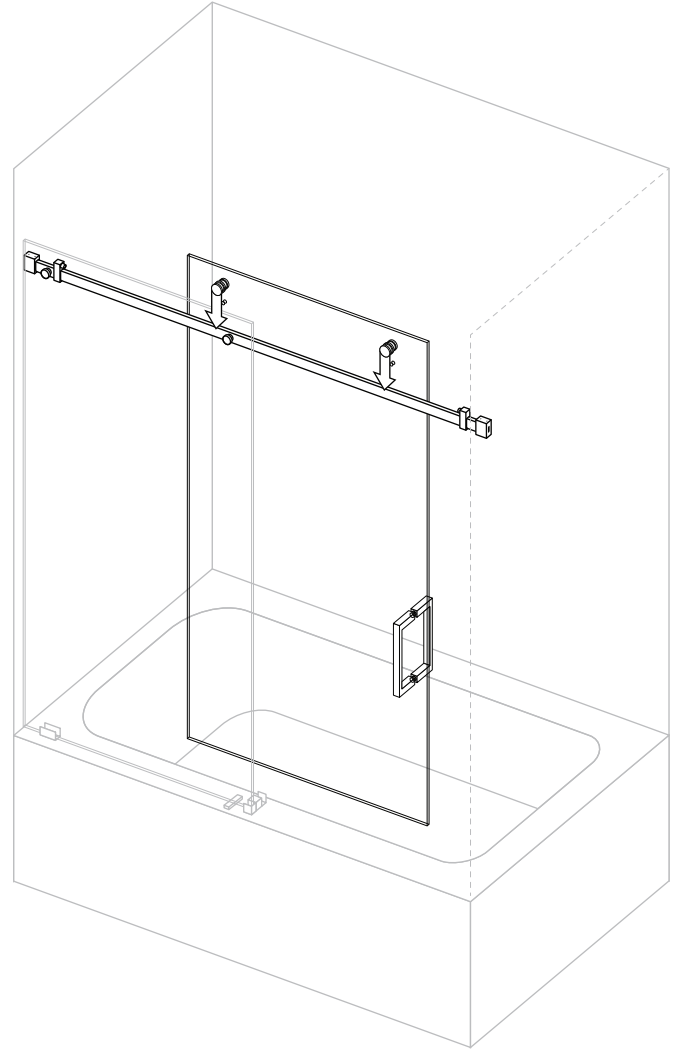


22

Install Sliding Panel Rollers and Handle.

Carefully install the Slider Panel Rollers. Then install the Slider Panel Handle on the Slider Panel. Be sure that Slider Panel is sitting on folded cardboard to avoid cracking or chipping.

Important: Make sure all components on handle and rollers are securely tightened.



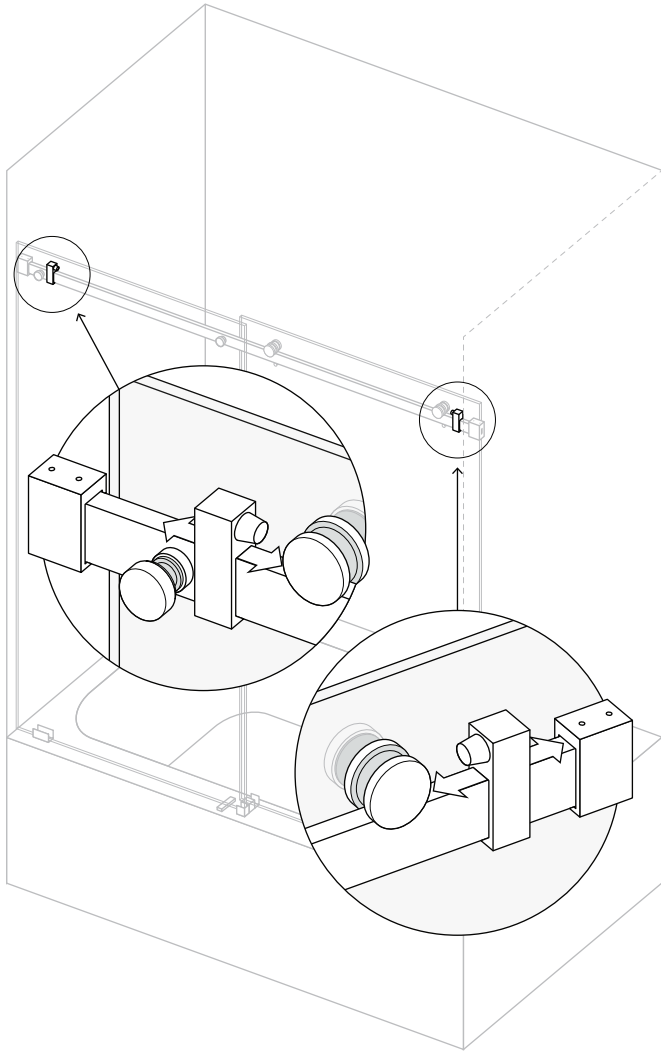
23

Install the Slider Panel.

Lift the door and slowly lower the Rollers onto the Shower Rod. When lowering the Panel be sure the bottom of the Slider Panel slides into the floor bracket.

Important: Gently slide door from side to side making sure it is not binding anywhere along the bottom. Check the door is level and lines up evenly with the wall.





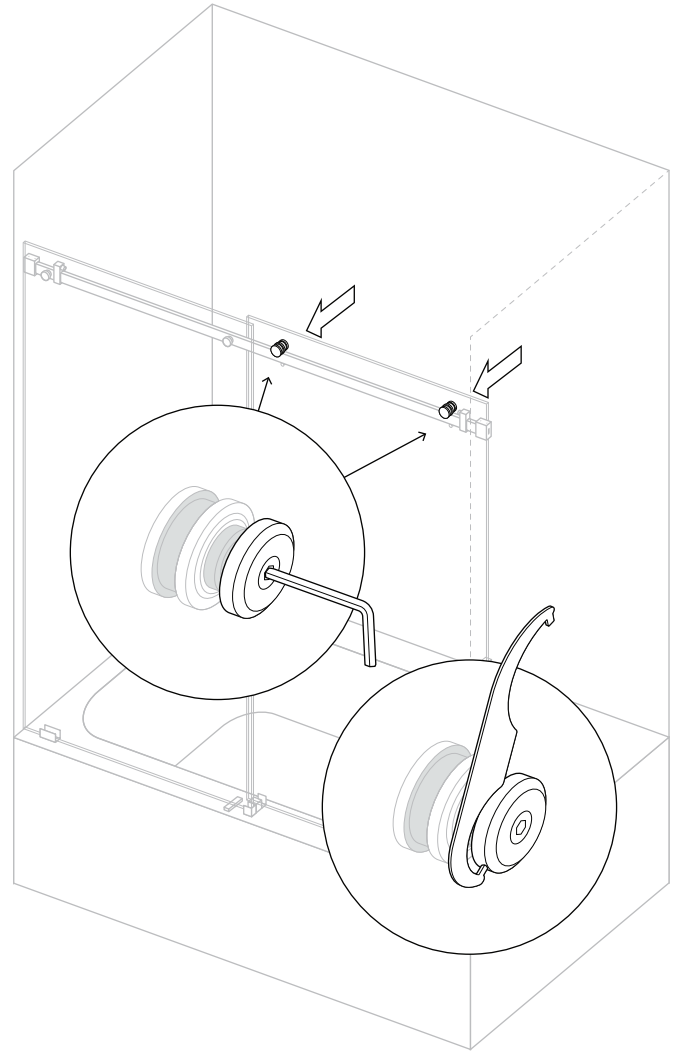
24

Adjust Slider Panel Stoppers.

Important: Slide door gently when testing door stops so as not to damage the door or the fixed panel.



Adjust location of Slider Stoppers on Shower Rod to ensure the Slider Panel does not hit the wall and the Slider Panel Handle does not touch the Fixed Panel.



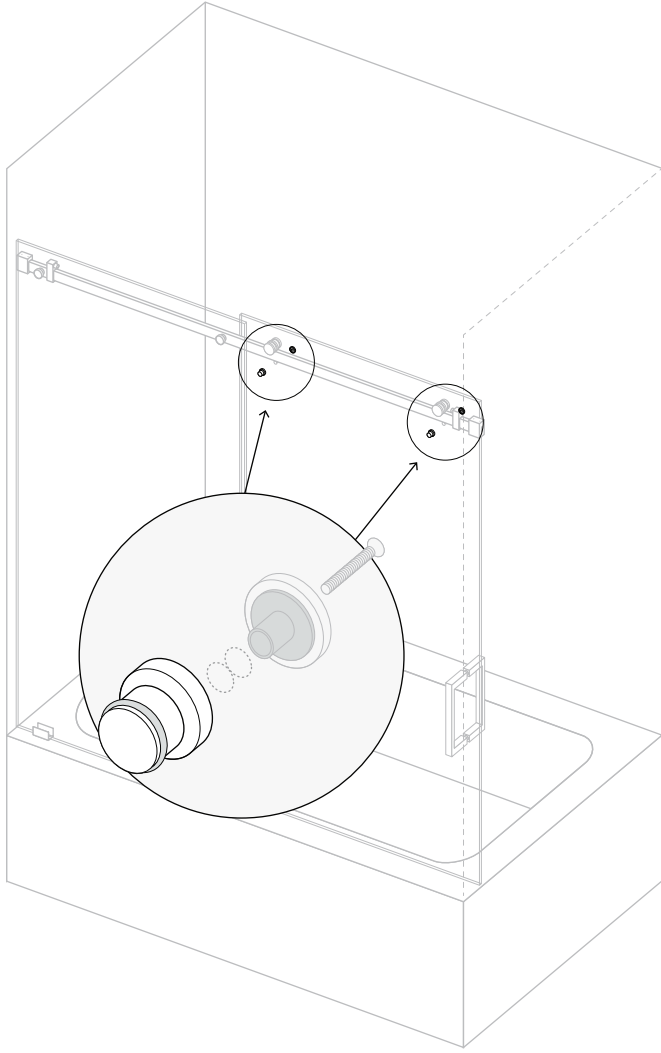
25

Level and adjust Slider Panel Rollers.

If Slider Panel is not level when hung from Rollers you can use the Roller Adjustment Tool to level it up.

Slightly loosen the allen bolt on back of Slider Panel Roller. Insert Roller Adjustment Tool into the hole on the edge of the Roller backing plate and turn it to adjust level.

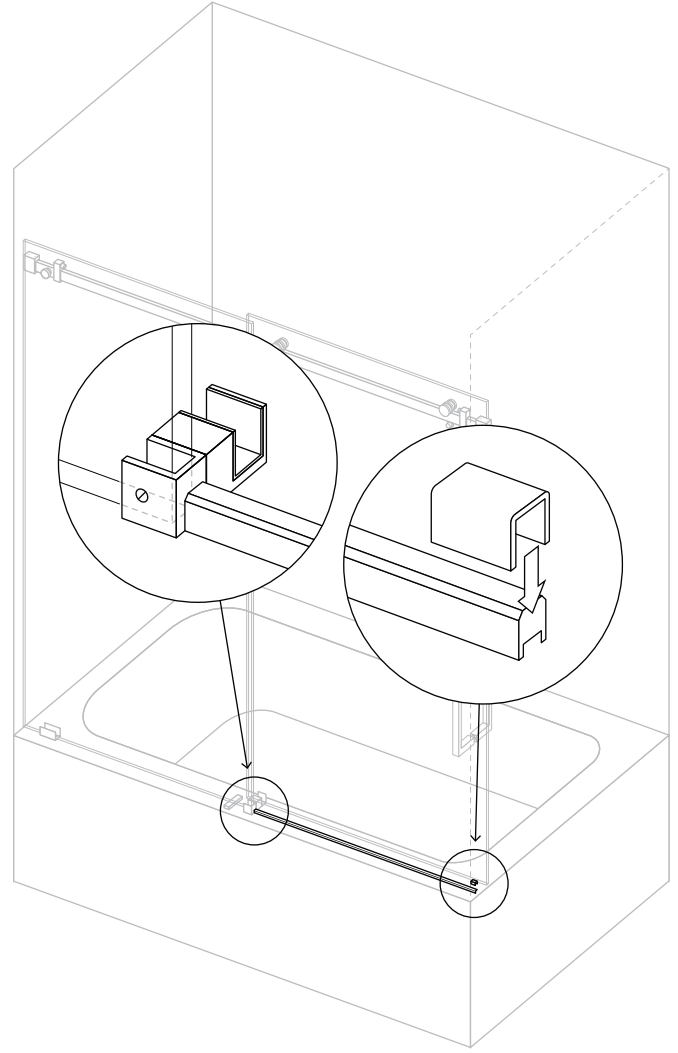
Once Slider Panel is level, tighten allen bolt on back of Roller very tight. Slide door back and forth gently again and make sure it is not binding anywhere.



26

Install the Roller Guides.

Install Roller Guides on Slider Panel to prevent the door from being able to come off Rollers. Make sure there's no more than a $\frac{1}{8}$ " gap between the guides and the Shower Rod. The Roller Guides need to be almost touching the Shower Rod to insure that the Slider Panel is completely secure.

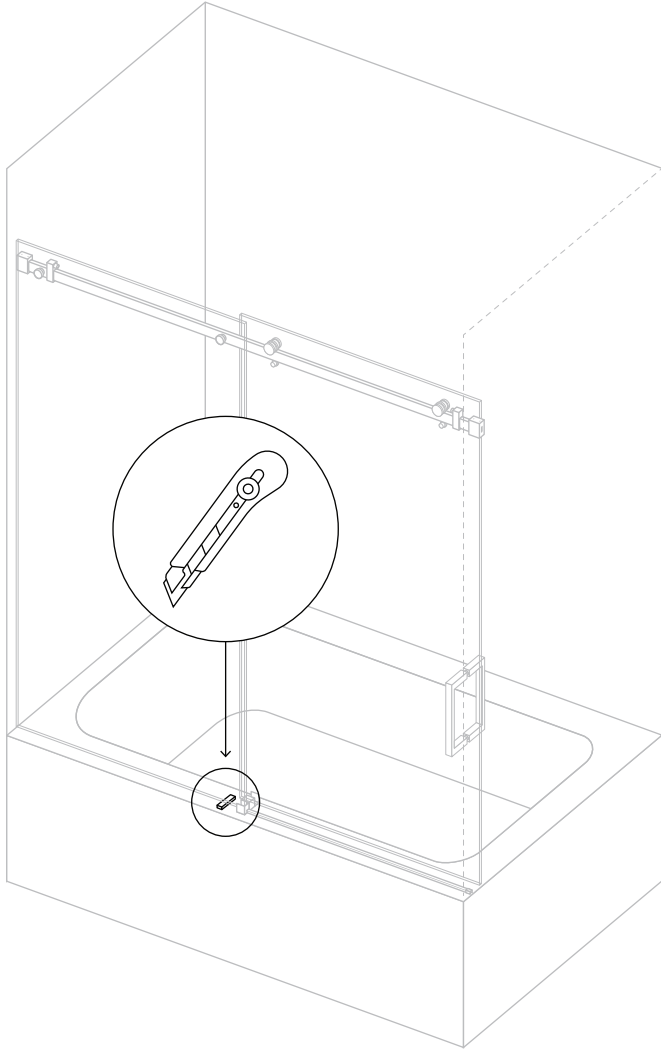


27

Install Aluminum Floor Strip inline with Fixed Panel and optional Cap.

Install Aluminum Floor Strip to prevent water leakage. Measure distance from Floor Bracket to wall and cut Aluminum Floor Strip to fit. Apply a small bead of silicone under strip for waterproofing and set in place inline with Fixed Panel already in the Floor Bracket. If Aluminum Floor Strip is cut slightly short, apply a small bead of silicone under Aluminum Floor Strip Cap and place on top of cut end of Aluminum Floor Strip as close to the wall as possible.

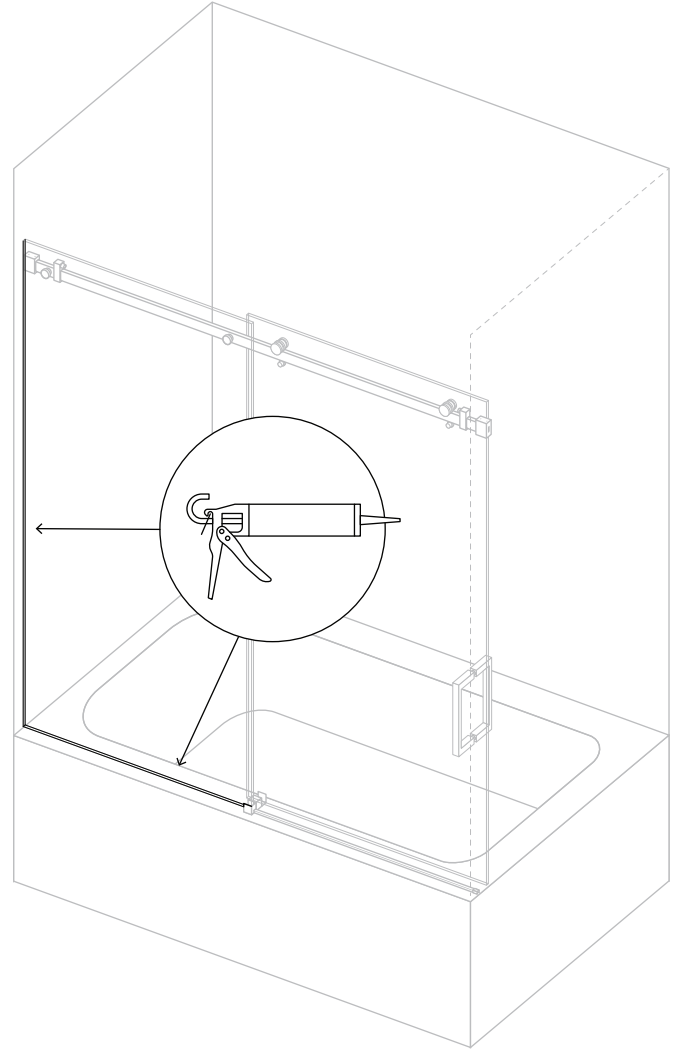
Tape aluminum strip to floor surface using masking tape and allow to dry for 24 hours.



28

Trim Rubber Block.

Trim the Rubber Block under the Fixed Panel with a utility knife so that it is flush with the Fixed Panel resting on top of it.



29

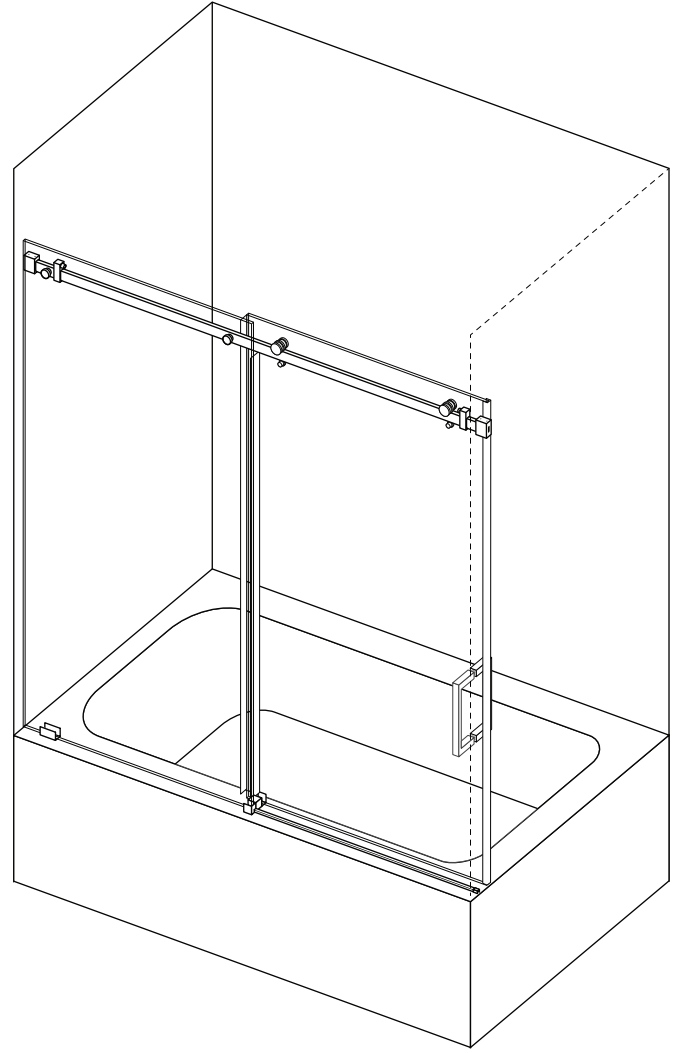
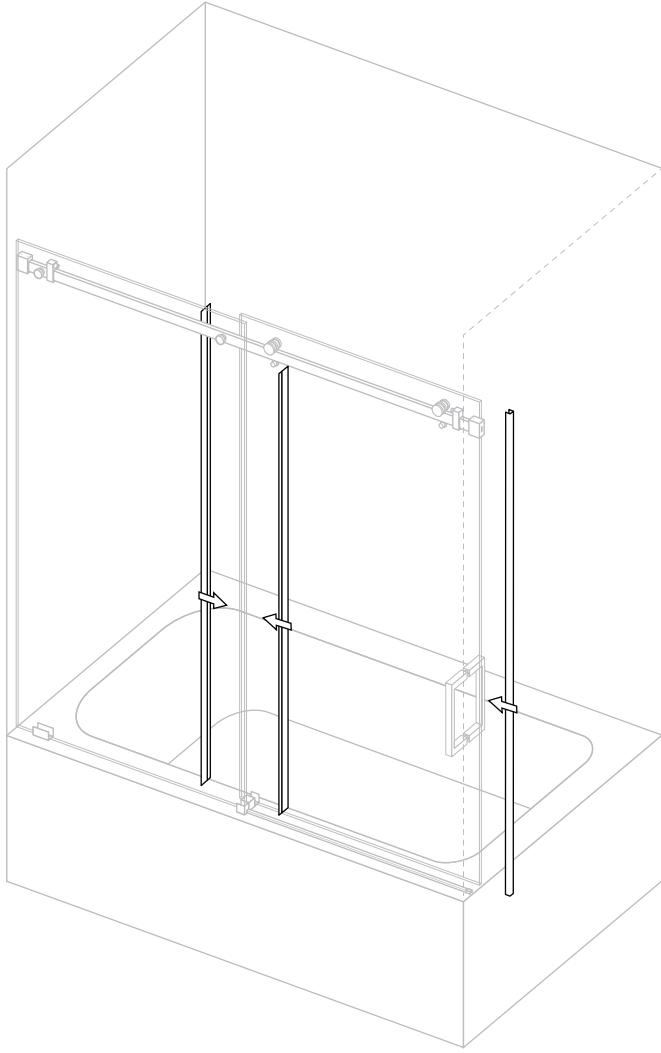
Apply silicone to seal Fixed Panel.

Apply silicone around the wall and floor surface of the Fixed Panel. You need to silicone both the inside and outside edges ensuring the gap between glass and tile is completely sealed.

Once sealed, spray the silicone with water and use a spatula (available in our Install Kit) to remove any silicone residue.

Important: It is critical that the silicone is given 24 hours to set and cure.





30

Install Weather Strips.

Install the plastic weather strip on panels. The shortest Weather Strip goes on the edge of the Fixed Panel. The longest bubble shaped piece goes on the outer edge of the Slider Panel near the handle. The mid-length piece goes on the inside of the Slider Panel.

Once silicone has cured, you're done!



+90 539 614 75 45

satis@kuante.com.tr www.kuante.com.tr