

ASSEMBLY INSTRUCTIONS

SLIDING NICHE OPENING 1 SIDE ENY LINE



IMPORTANT! – BEFORE YOU START

- Please read the instructions carefully before starting assembly.
- Please inspect the product immediately upon receipt for any damage caused by transit, missing parts or manufacturing defects. Any damage or missing parts must be reported immediately as no claims will be accepted after installation
- Please handle the product with care avoiding knocks or shock loads on any sides and edges of the glass. Please note: Toughened glass cannot be reworked.
- Double check that the shower enclosure you have ordered will fit in the chosen location.
- The fixings supplied are for use in solid walls, hollow or stud walls will require special fixings available from your hardware supplier.
- Please ensure you have all the tools necessary to complete the job (see tool list).
- You may need to consider purchasing special tile drilling bits available from your hardware supplier.
- Double check that all components are present (see parts list).
- Ensure that the installed shower tray is perfectly level in all directions against a solid, structural wall and that there is a full, continuous bead of silicone sealant between the top of the shower tray and the tile joint prior to installation of the shower enclosure. The tiling should cover a minimum of 1900mm from the top of the shower tray.

GENERAL POWER TOOL SAFETY

- DO NOT USE THE DRILL FOR ANY TASK IT WAS NOT DESIGNED TO PERFORM.
- DO NOT LEAVE THE DRILL UNATTENDED.
- DO NOT CARRY THE DRILL WITH YOUR FINGERS ON THE POWER SWITCH
- AVOID HIDDEN PIPES AND ELECTRICAL WIRING WHEN DRILLING IN A WALL.

SUGGESTIONS

- The surface to be siliconed should be degreased first with denatured alcohol. Please observe any safety instructions due to denatured alcohol.
- Make sure there are no hidden pipes or cables in the wall before drilling.
- If you are drilling into ceramic tiles use a piece of marking tape on the tile to stop the drill bit from slipping.

MAINTENANCE

After use, your shower enclosure should be cleaned with soap and water. This is especially important if hard water is present. Do not use harsh chemicals. Care should be taken to avoid contact with strong chemicals such as organic solvents. Glass cleaners should be used with caution, if in doubt consult the manufacturer of the cleaner in question. To ensure smooth door movement, apply grease when necessary. Keep these instructions for after-sales service and customer service details.

MOUNTING COMPONENTS

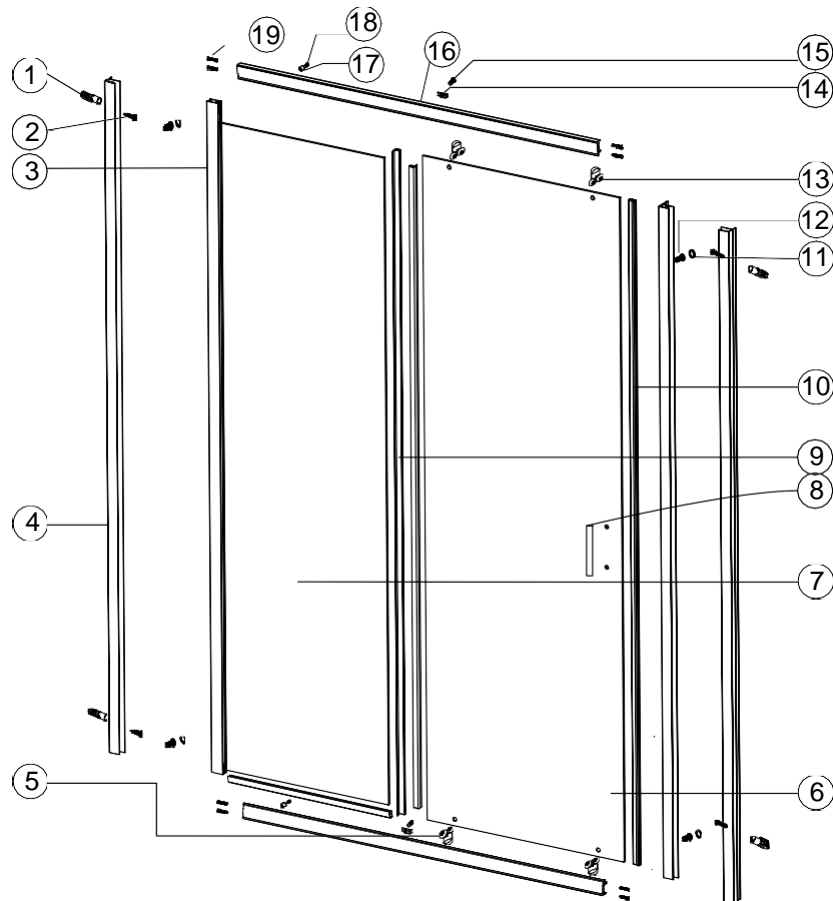











Figure 1

- | | |
|--|-------------------------------------|
| (1) 4 x Tiles | (11) x Screw cover caps |
| (2) 4 x Screws 4.2 x 25 | (12) 2 x Screws 3.9 x 13 |
| (3) 2 x Glass Profile | (13) 2 x Double clip wheels for top |
| (4) 2 x Wall Profile | (14) 2 x Glass clamps |
| (5) 2 x Double clip wheels for lower part | (15) 2 x Screws 3.9 x 16 |
| (6) 1 x Sliding door | (16) 2 x Upper and lower tracks |
| (7) 1 x Fixed glass | (17) 4 x Glass stop |
| (8) 1 x Pair of handles | (18) 4 x Fast 3.9 x 13 |
| (9) 2 x Plastic hydraulic seals (between fixed and sliding part) | (19) 8 x Screws 3.5x32 |
| (10) 1 x Caliberized gasket | |

WARNING: This product is heavy and will require two people to lift and install.

Required tools

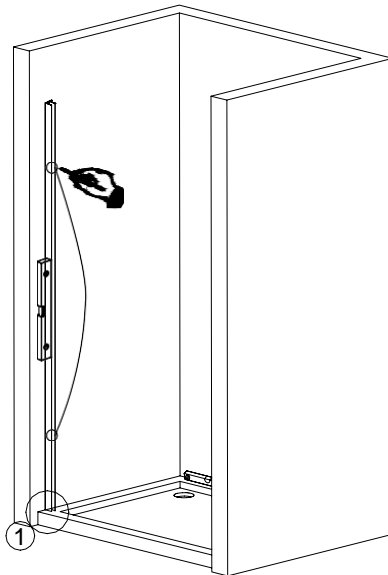
DESCRIPTION	IMAGE	DESCRIPTION	IMAGE
Metro		Drill	
Bubble leveler		Cross screwdriver	
Pencil		Rubber hammer	
Drill bit Ø 6mm		Silicone sealant	
Drill bit Ø 3mm			



This product is heavy and will require two people to lift and install.

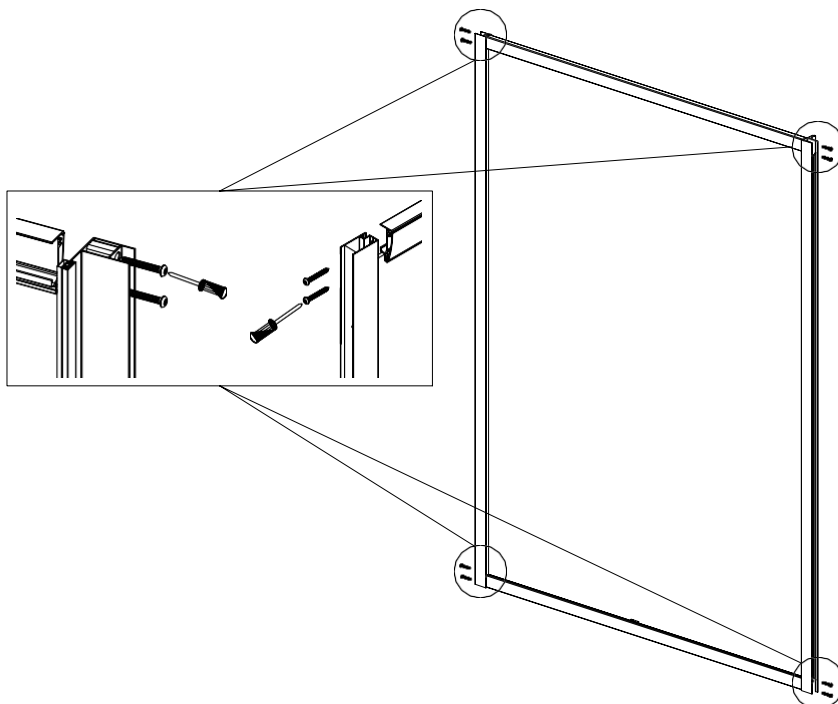
ASSEMBLY STEPS

STEP 1: Preparing the wall connections



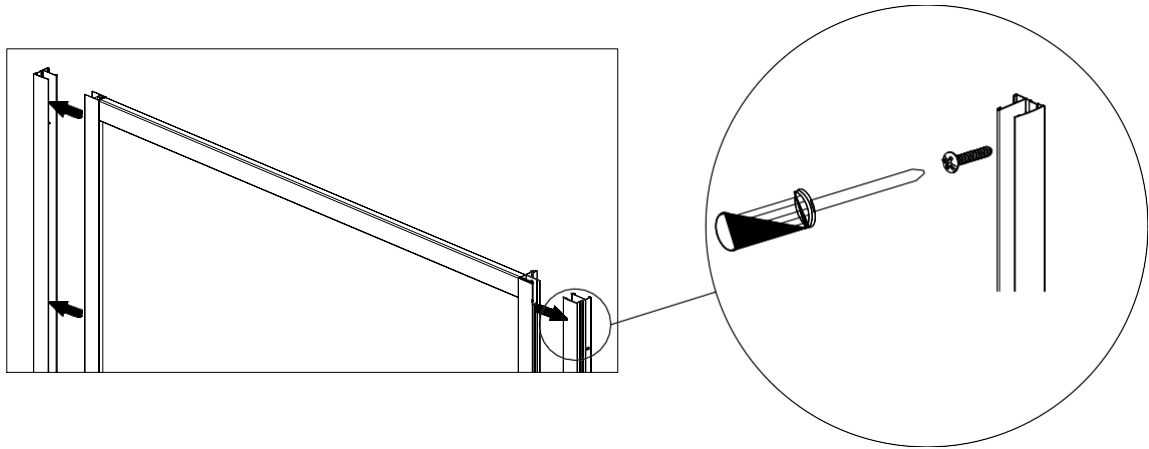
1. Leave a 10mm gap at the edge of the plate.
2. Mark the 2 holes through the wall profile on the wall using a pencil and a spirit level. Repeat this process on both sides
3. Drill holes on both sides of the wall at the marked point.
4. Place the dowels into the drilled holes.
5. Fix the wall profile using the 4.2 x 25 screws

STEP 2: Assembling the aluminum structure



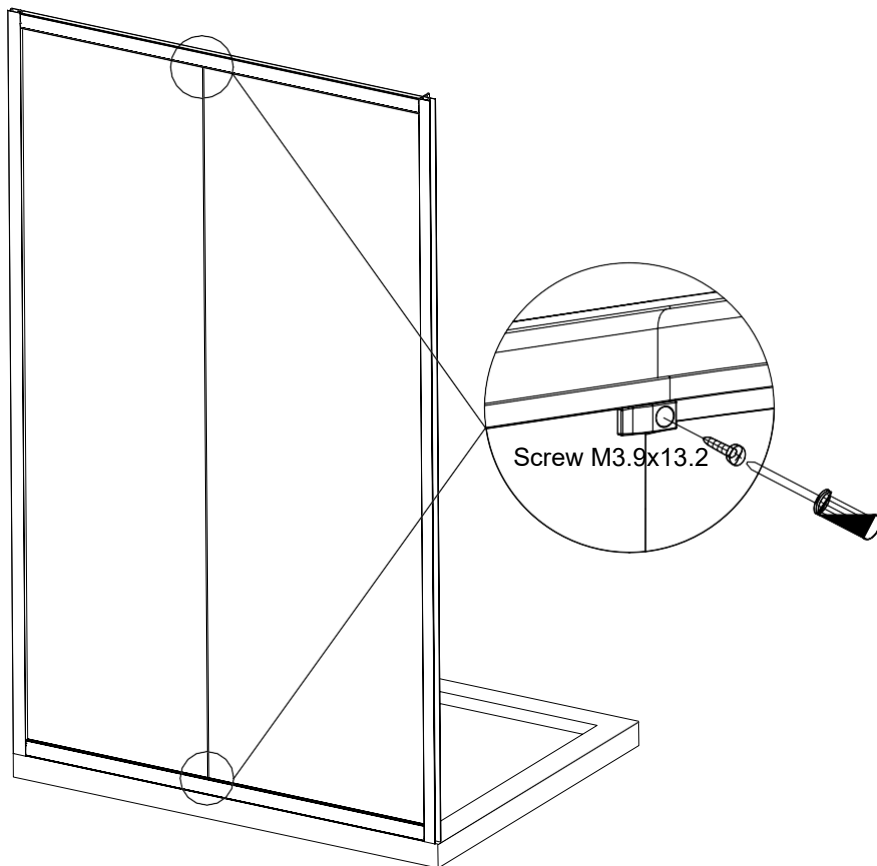
Fix the upper and lower track with the vertical glass profiles using 3.5x32 x8

STEP 3: Positioning the frame to the wall connection: Connect the assembled frame to the wall profile. After positioning the frame, repeat STEP 1 for the door-side wall profile.

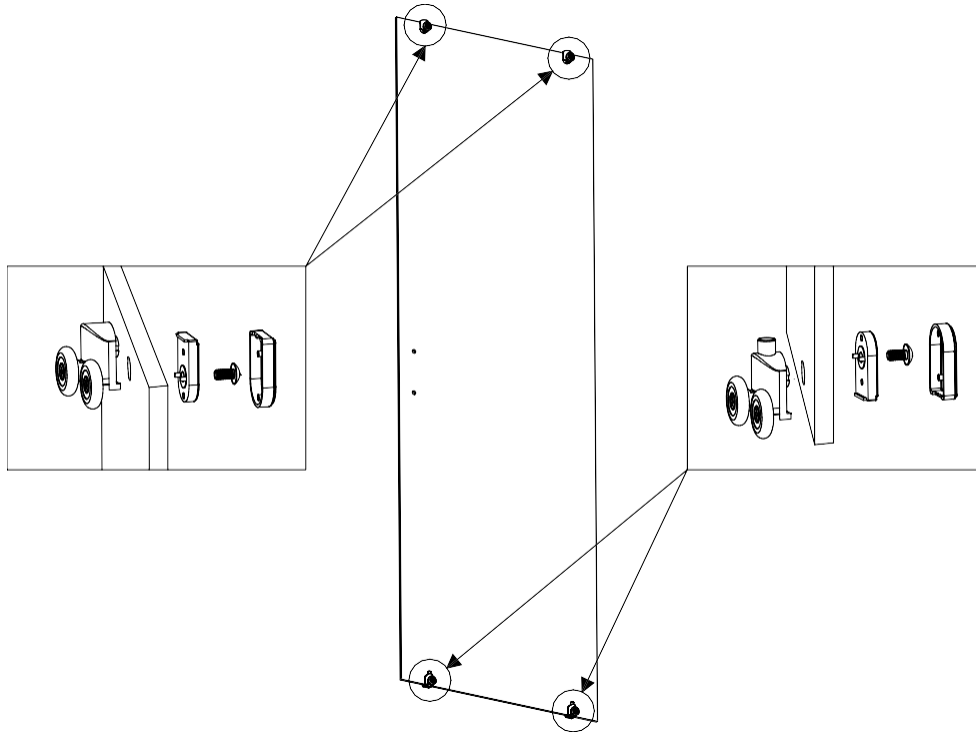


STEP 4: Fixing the fixed glass

Fix the fixed glass using (14) glass clamps and (15) 3.9x13 screws as shown in figure 1

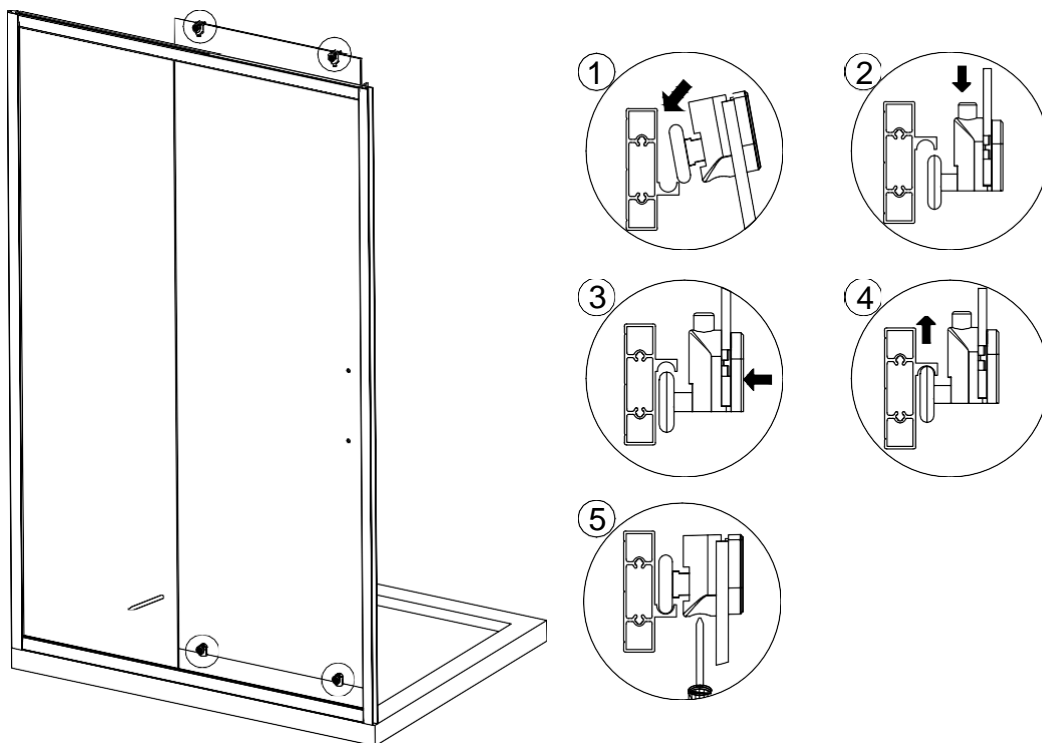


STEP 5: Preparing and installing the sliding door



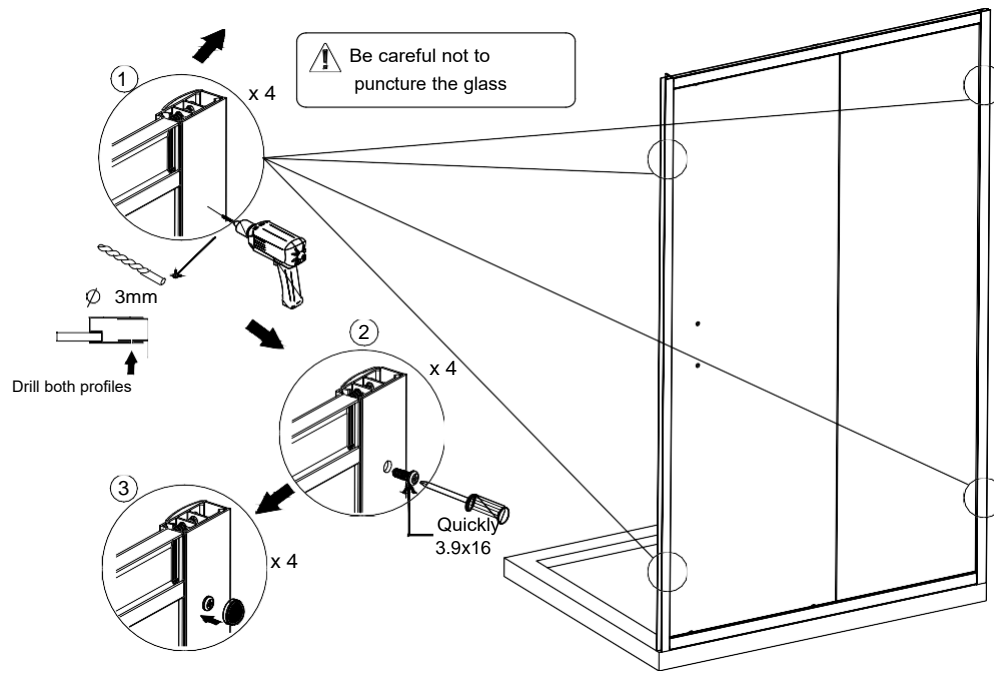
Connect the (5) (as shown in Figure-1) 2 x Double clip wheels for the bottom of the door,

Connect the (13) (as shown in Figure-1) 2 x Double Clip Wheels for upper part which are adjustable to the lower part of the door.

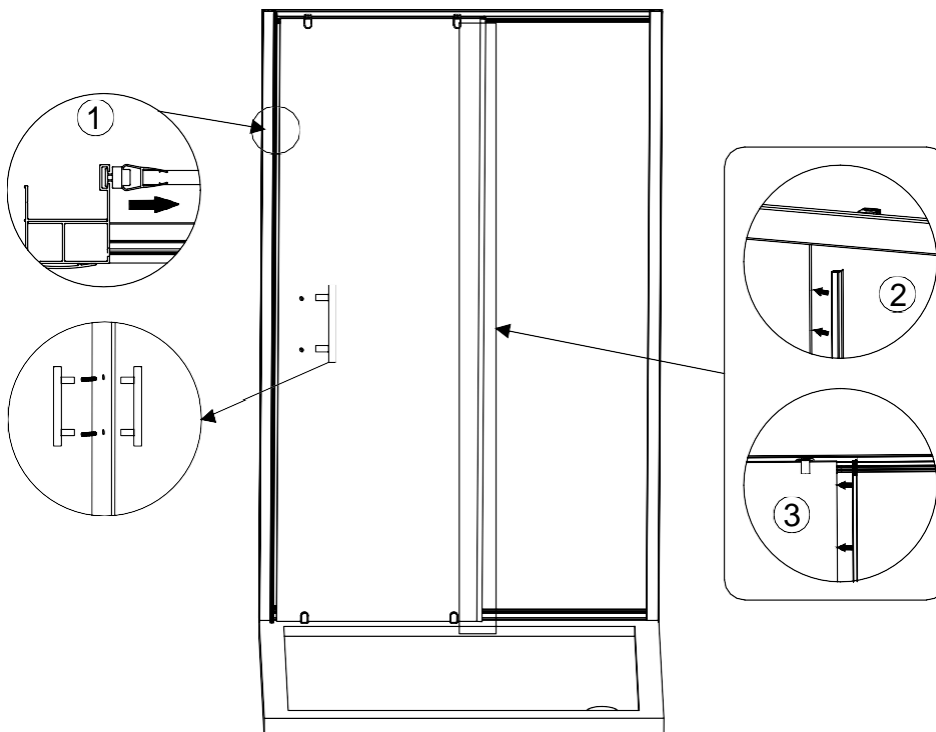


1. Place the wheels on the top rail very carefully.
2. Push the lower wheel and carefully place it on the lower rail
3. Regular

STEP 6: Fixing the door to the wall profiles



STEP 7: Fitting water deflectors + magnetic seals and installing handle



STEP 8: Silicone



Wait 24 hours before use to let the silicone dry

Clean your shower enclosure regularly with soap and warm water to prevent limescale build-up. **DO NOT USE** abrasive products or strong chemical detergents to avoid damaging the surface of the product.

Please keep this manual in a safe place.

KUANTE

Tel. +90 539 614 75 45

satis@kuante.com.tr

www.kuante.com.tr