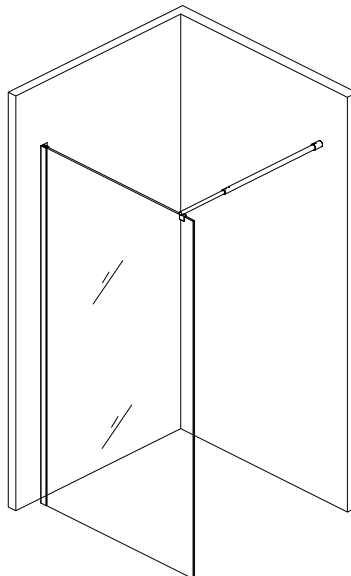




DUŞ I KABİN

ASSEMBLY INSTRUCTIONS

WALK IN



IMPORTANT! – BEFORE YOU START

- Please read the instructions carefully before starting assembly.
- If the shower enclosure is not assembled following the instructions below, BOX DOCCIA INTERNATIONAL disclaims all liability for any loss or damage, whatever the cause, which may result in additional costs.
- Please inspect the product immediately upon receipt for any damage caused by transportation, missing parts or manufacturing defects. Any damage or missing parts must be reported immediately as no claims will be accepted after installation.
- Please handle the product with care avoiding impacts or shock loads on any side and edge of the glass. Please note: Tempered glass cannot be reworked.
- Check again that the shower enclosure you ordered fits in the chosen location.
- The fixings supplied are for use in solid walls, hollow or stud walls will require specialist fixings available from your hardware supplier.
- Make sure you have all the tools needed to complete the job (see tool list).
- You may need to consider purchasing special tile drilling bits available from your hardware supplier.
 - Check again that all components are present (see the components list).
 - Ensure that the installed shower tray is perfectly level in all directions against a solid, structural wall and that, prior to installation of the shower enclosure, there is a full, continuous bead of silicone sealant between the top of the shower tray and the tile joint. The tiling should cover a minimum of 1900mm from the top of the shower tray.

GENERAL POWER TOOL WARNINGS

- DO NOT USE THE DRILL TO PERFORM ANY TASK FOR WHICH IT WAS NOT DESIGNED.
- DO NOT LEAVE THE DRILL UNATTENDED.
- DO NOT CARRY THE DRILL WITH YOUR FINGERS ON THE POWER SWITCH
- WHEN DRILLING THE WALL, AVOID HIDDEN PIPES AND ELECTRICAL CABLES.

SUGGESTIONS

- The surface to be siliconed should be degreased first with denatured alcohol. Please observe any safety instructions due to denatured alcohol.
- Make sure there are no hidden pipes or cables in the wall before drilling.
- If you are drilling into ceramic tile, use a piece of marking tape on the tile to stop the drill bit from slipping. DO NOT use the drill with hammer action when drilling holes in tiles

MAINTENANCE

After use, your shower enclosure should be cleaned with soap and water. This is especially important if hard water is present. Do not use harsh chemicals. Care should be taken to avoid contact with strong chemicals such as organic solvents. Glass cleaners should be used with caution, if in doubt consult the manufacturer of the cleaner in question. To ensure smooth door movement, apply grease when necessary. Keep these instructions for after-sales service and customer service details.

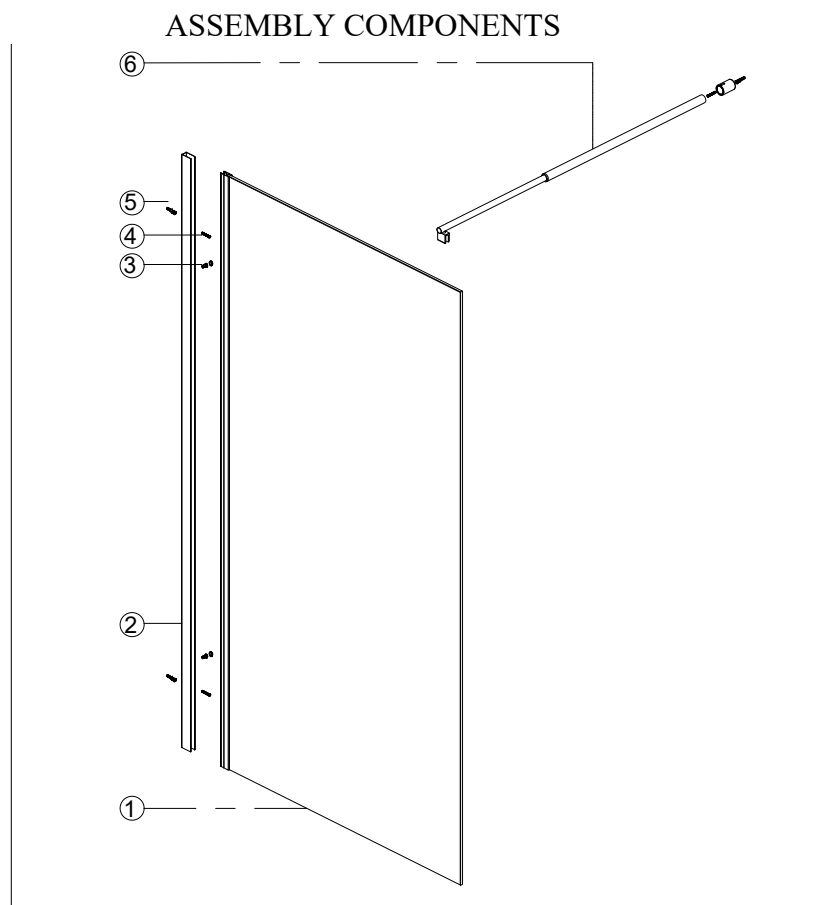





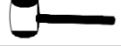






Figure 1

- (1) 1 x Glass with profile
- (2) 1 x Wall profile
- (3) 2 x Screw cover caps 2 x 3.9 x 13 screws
- (4) 3 x Screws 4.2 x 25
- (5) 3 x Tiles
- (6) Adjustable tension bar

WARNING: This product is heavy and will require two people to lift and install.

Required tools

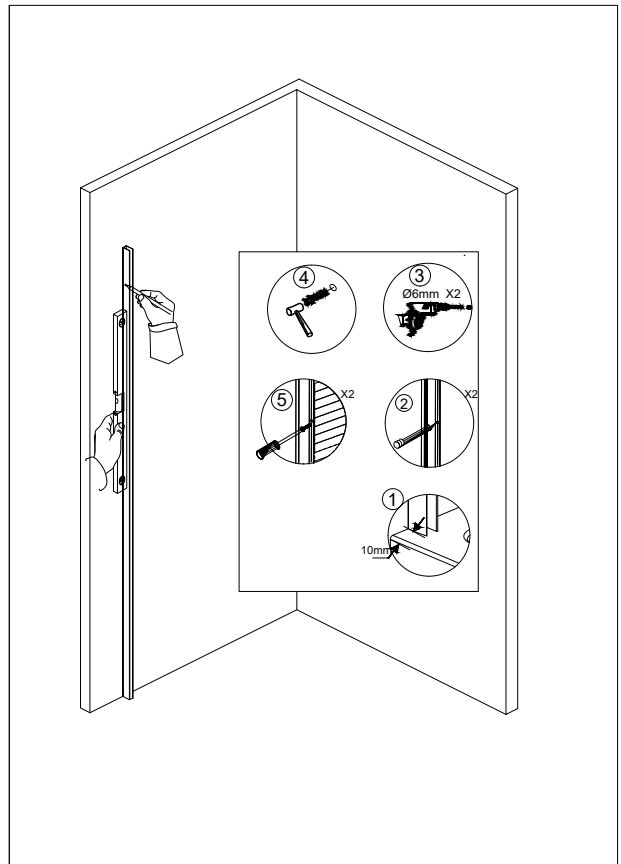
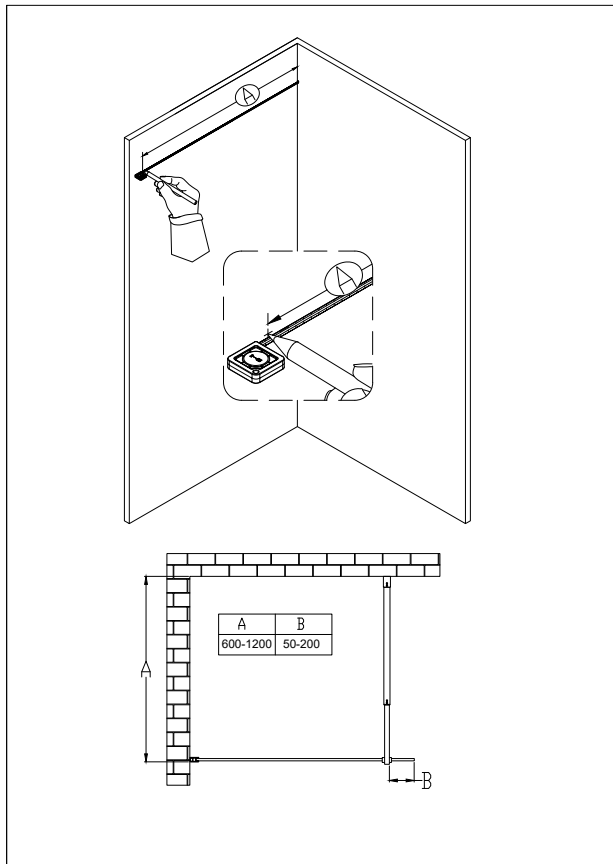
DESCRIPTION	IMAGE	DESCRIPTION	IMAGE
Metro		Drill	
Bubble leveler		Cross screwdriver	 PZ1
Pencil		Rubber hammer	
Drill bit Ø 6mm		Silicone sealant	
Drill bit Ø 3mm			

 This product is heavy and will require two people to lift and install.

ASSEMBLY STEPS

STEP 1: Preparation and installation of the wall profile

1. Leave 10mm space at the edge of the shower tray (if it will be installed on a shower tray, otherwise skip this step)
2. Mark the 2 holes through the wall profile on the wall using a pencil and a spirit level.
3. Drill one side of the wall at the marked point, after completing the installation drill the OTHER side of the wall according to the drilled profile
4. Place the wall plugs into the drilled holes.
5. Fix the profile to the wall using the 2 x 4.2 x 25 screws

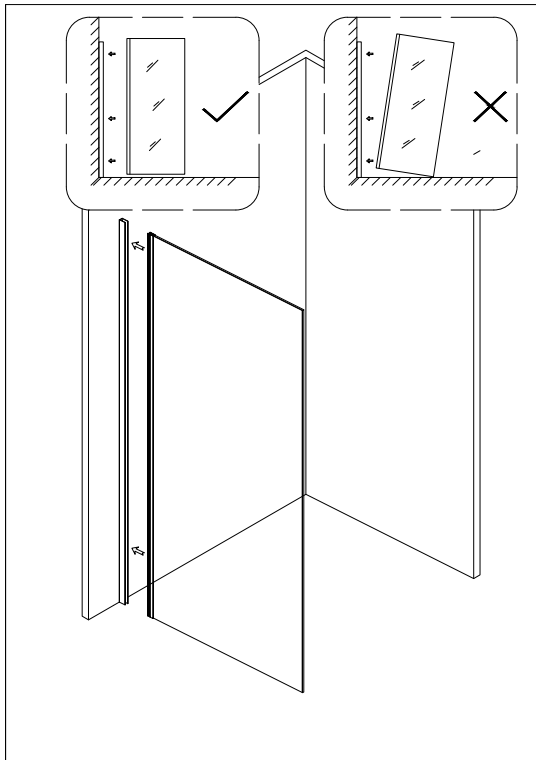


STEP 2 – 3: Positioning the glass with the wall profile - Fixing the tension bar:

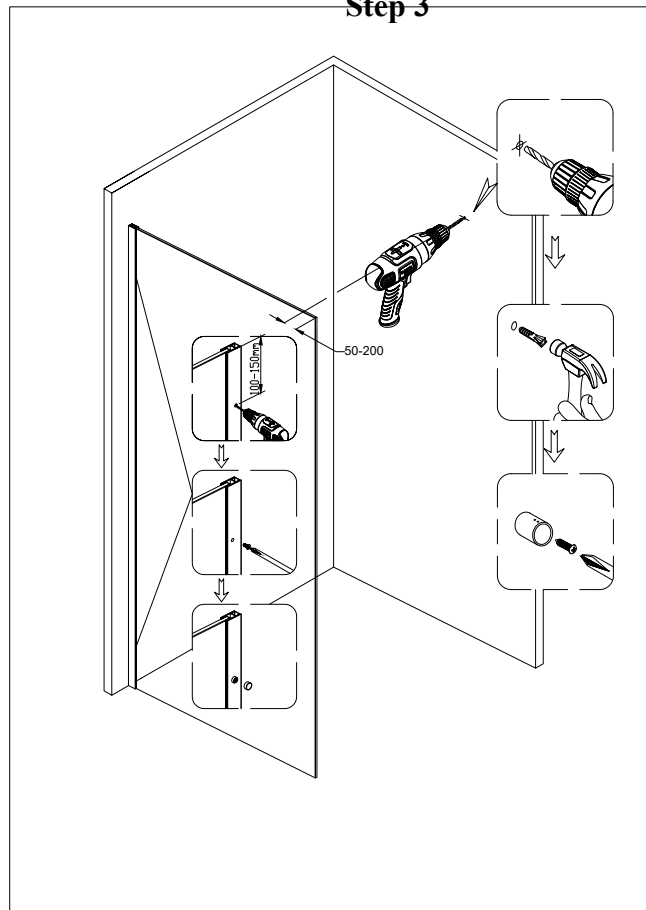
Connect the glass and the pre-assembled profile to the wall profile. Warning: When positioning the glass, keep it horizontal and not angled.

Installing the tension bar: Measure from the wall to the point where you want to install the tension bar. Do not get closer than 50mm to the edge of the glass. Drill the hole and use the wall plug and 4.2 x 25 screw and fix the tension bar.

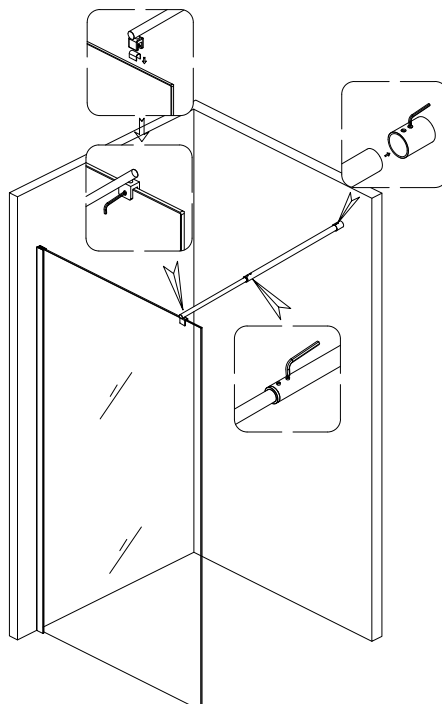
Step 2



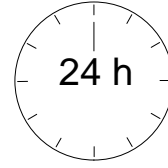
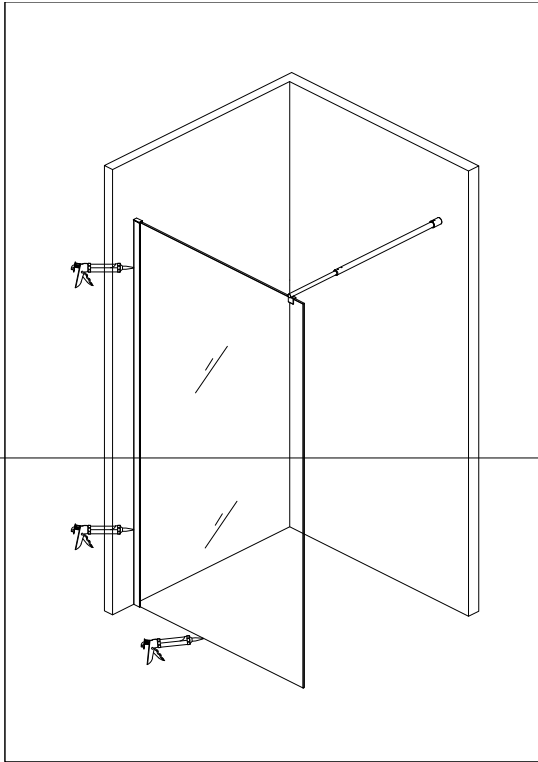
Step 3



PASSO 4: Posizionare la barra di tensione : Posizionare la barra di tensione e fissarla



PASSO 5: Silicone



Clean your shower enclosure regularly with soap and warm water to prevent limescale build-up. DO NOT USE abrasive products or strong chemical detergents to avoid damaging the surface of the product.

Please keep this manual in a safe place.

KUANTE
Tel. +90 539 614 75 45
satis@kuante.com.tr
www.kuante.com.tr